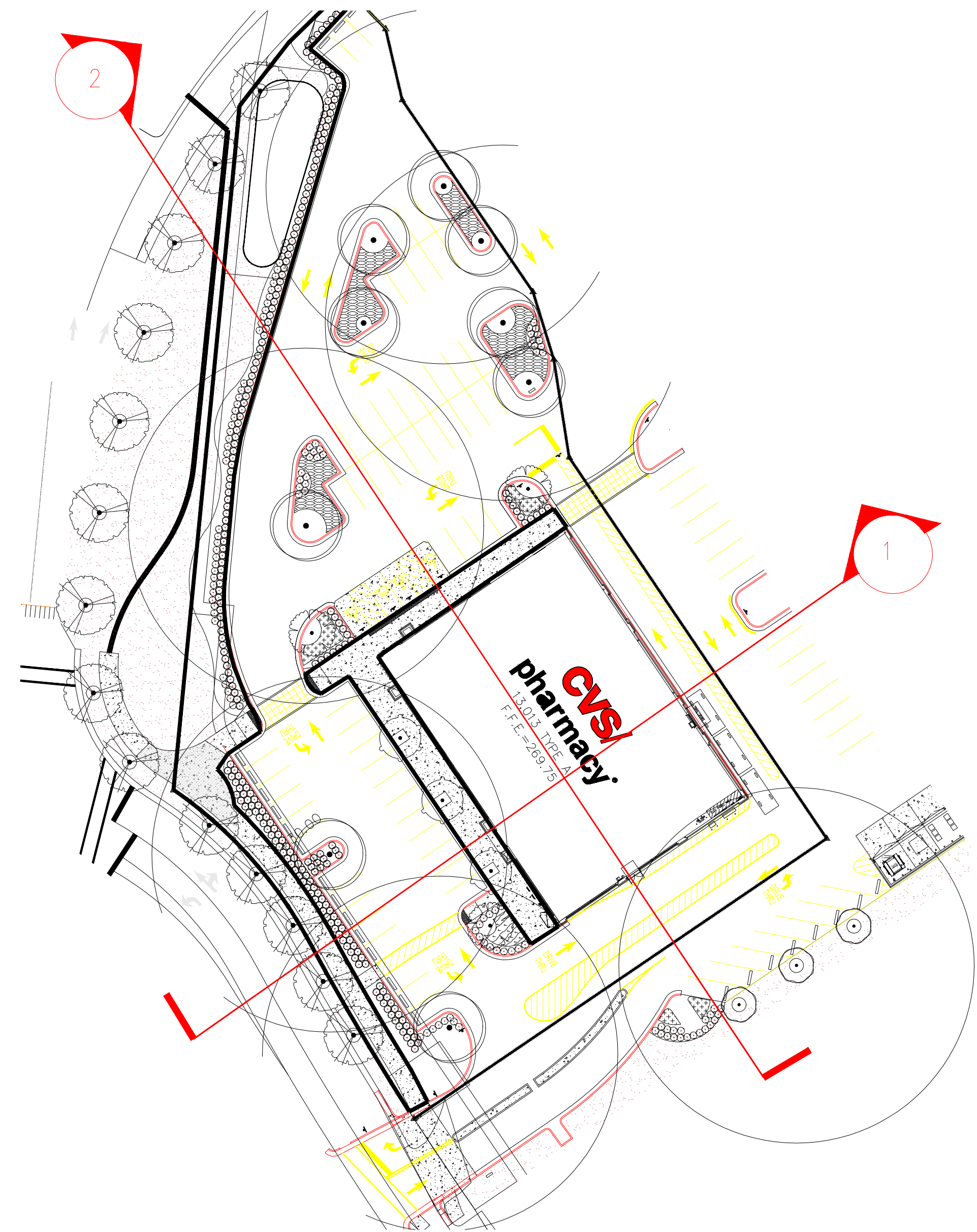


1 SOUTH/EAST SECTION
SCALE: 1/16" = 1'-0"



2 SOUTH/WEST SECTION
SCALE: 1/16" = 1'-0"



3 SITE PLAN
SCALE: NTS = 1'-0"

NORR
ARCHITECTS ENGINEERS PLANNERS

150 W. Jefferson Avenue
Suite 1300
Detroit, MI 48226
www.norr.com

REDD REALTY SERVICES

CVS # 3898 HWY 15 / 501 & EPHEBUS CHURCH ROAD, CHAPEL HILL, NC.

A1

CVS/pharmacy

03.20.2015



NORTH/WEST ELEVATION

SCALE: 1/8" = 1'-0"



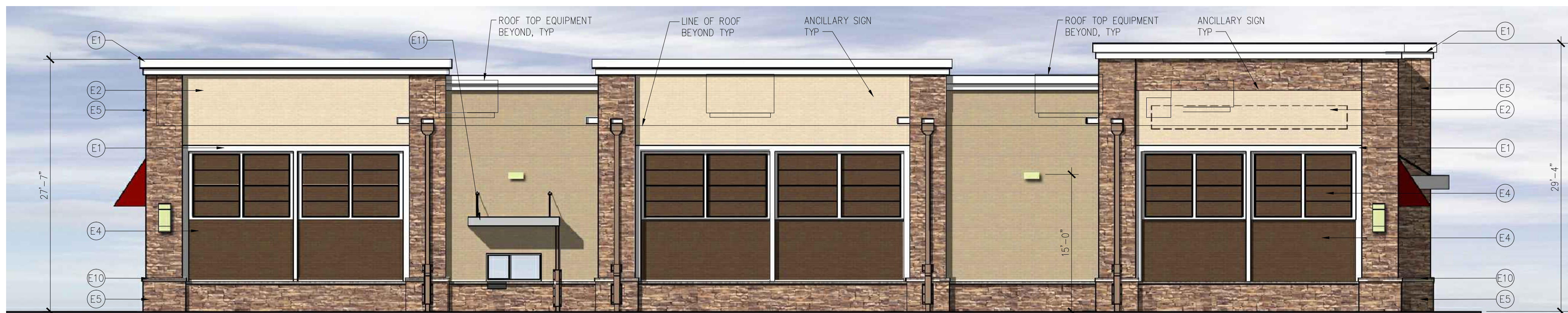
SOUTH/WEST ELEVATION

SCALE: 1/8" = 1'-0"



SOUTH/EAST ELEVATION

SCALE: 1/8" = 1'-0"



NORTH/EAST ELEVATION

SCALE: 1/8" = 1'-0"

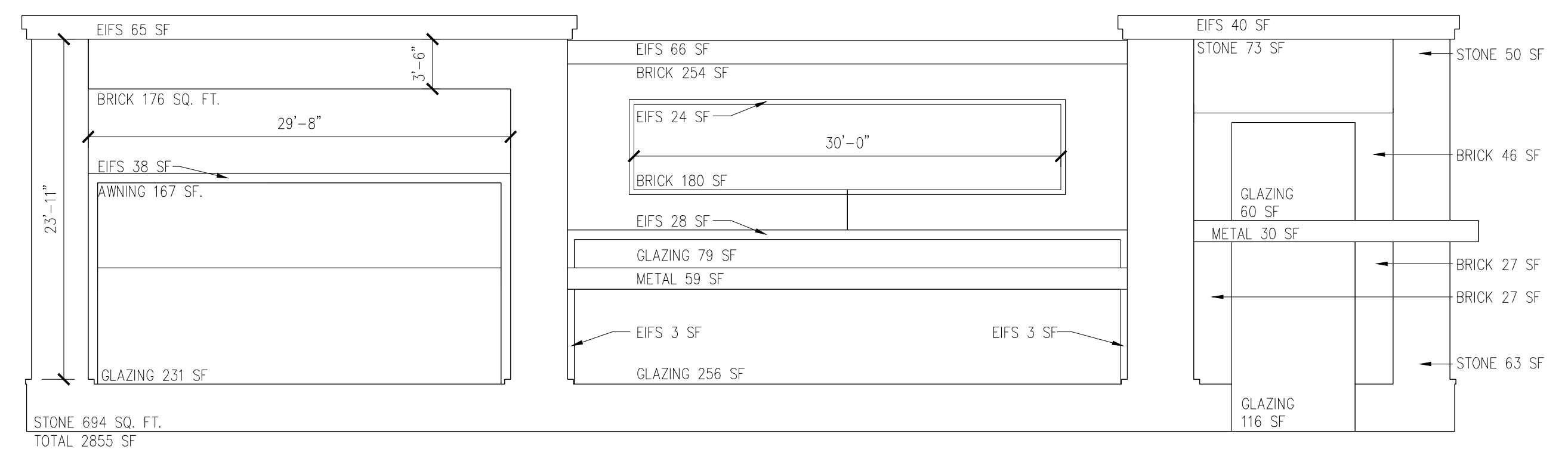
EXTERIOR FINISH CALCULATIONS				
ELEVATION	REQUIRED %	DESIGNED SF.	DESIGNED %	
NORTH WEST FRONT ELEVATION:	PRIMARY MATERIAL	75%	PRIMARY MATERIAL	82%
	BRICK		BRICK	
	GLAZING		GLAZING	
	STONE		STONE	
	SECONDARY MATERIALS	25%	SECONDARY MATERIALS	18%
EIFS		EIFS		
OTHER		OTHER		
TOTAL	100%	TOTAL	100%	
2'-0" - 10'-0" TOTAL	GLAZING	60%	GLAZING	64%
	TRANSPARENCY	60%	TRANSPARENCY	64%
	TOTAL GLAZING 2'-10"	100%	TOTAL GLAZING 2'-10"	100%
	TRANSPARENCY	60%	TRANSPARENCY	64%
	TOTAL GLAZING 2'-10"	60%	TOTAL GLAZING 2'-10"	64%
SOUTH WEST ELEVATION:	PRIMARY MATERIAL	75%	PRIMARY MATERIAL	83%
	BRICK		BRICK	
	GLAZING		GLAZING	
	STONE		STONE	
	SECONDARY MATERIALS	25%	SECONDARY MATERIALS	17%
EIFS		EIFS		
OTHER		OTHER		
TOTAL	100%	TOTAL	100%	
2'-0" - 10'-0" TOTAL	GLAZING	60%	GLAZING	62%
	TRANSPARENCY	60%	TRANSPARENCY	62%
	TOTAL GLAZING 2'-10"	100%	TOTAL GLAZING 2'-10"	100%
	TRANSPARENCY	60%	TRANSPARENCY	72%
	TOTAL GLAZING 2'-10"	60%	TOTAL GLAZING 2'-10"	72%
SOUTH EAST ELEVATION:	PRIMARY MATERIAL	75%	PRIMARY MATERIAL	78%
	BRICK		BRICK	
	GLAZING		GLAZING	
	STONE		STONE	
	SECONDARY MATERIALS	25%	SECONDARY MATERIALS	22%
EIFS		EIFS		
OTHER		OTHER		
TOTAL	100%	TOTAL	100%	
NORTH EAST ELEVATION:	PRIMARY MATERIAL	75%	PRIMARY MATERIAL	90%
	BRICK		BRICK	
	GLAZING		GLAZING	
	STONE		STONE	
	SECONDARY MATERIALS	25%	SECONDARY MATERIALS	10%
EIFS		EIFS		
OTHER		OTHER		
TOTAL	100%	TOTAL	100%	

EXTERIOR FINISH SCHEDULE					
TAG	MATERIAL / DESCRIPTION	MFR	STYLE / CAT. NO.	COLOR	NOTES
E1	EIFS	STO LOTUSAN SYSTEM	191 STOLIT LOTUSAN 1.5	SW 6385 DOVER WHITE	SEE SPECIFICATION
E2	BRICK	BORAL BRICK	FREEDOM COLLECTION MODULAR	WHEAT	MORTAR: BRIXMENT C-324
E3	BRICK	BORAL BRICK	FREEDOM COLLECTION MODULAR	CITADEL	MORTAR: BRIXMENT C-324
E4	BRICK	BORAL BRICK	MAINSTREET COLLECTION MODULAR	HYANNISPORT	MORTAR: BRIXMENT C-324
E5	PRECAST STONE	ELDORADO STONE	STACKED STONE	PAGOSA SPRINGS	MORTAR: BRIXMENT C-324
E6	AWNING	SUNBRELLA	FIREISIT	CRIMSON RED 82017	SEE SPECIFICATION
E7	ALUM STOREFRONT / AUTOMATIC DOOR	SEE SPECS	SEE SPECS	VALSPAR BLACK 378X500	SEE SPECIFICATION
E8A	PAINT	SHERWIN WILLIAMS	SEE SPECS	SW 6117 SMOKEY TOPAZ	SEE SPECIFICATION
E8B	PAINT	SHERWIN WILLIAMS	SEE SPECS	MATCH E1	SEE SPECIFICATION
E9	BOLLARD COVER	SEE "SITE & STREET FURNISHINGS" SPEC	SEE "SITE & STREET FURNISHINGS" SPEC	YELLOW	TYP FOR ALL PIPE BOLLARDS (UON)
E10	PRECAST STONE SILL	ELDORADO STONE	STACKED STONE	PAGOSA SPRINGS	SILL SIZE C406 R
E11	ALUMINUM CANOPY	MAPES ARCHITECTURAL CANOPIES	CLASS II CLEAR ANODIZED		
E12	PRECAST STONE SILL	ELDORADO STONE	CHISELED EDGE WAINSCOT SILL	BUCKSKIN	2" HIGH X 3" DEEP

NOTE: SIGNAGE UNDER SEPARATE PERMIT

- NOTE:
- ALL FABRIC AWNINGS PROJECT OUT FROM BUILDING 4'-0"
 - ALUMINUM CANOPIES AT WINDOWS PROJECT OUT FROM BUILDING 4'-0"
 - ALUMINUM CANOPY AT MAIN ENTRANCE PROJECT OUT FROM THE BUILDING 6'-0"

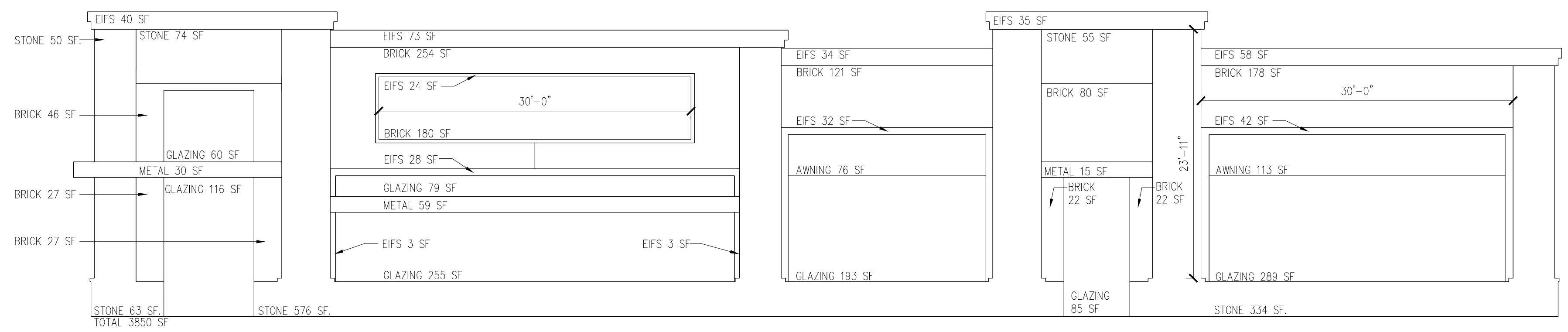
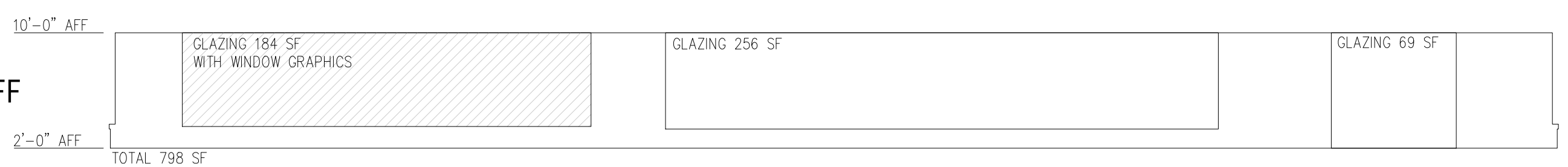
EXTERIOR FINISH CALCULATIONS			
ELEVATION	REQUIRED %	DESIGNED SF.	DESIGNED %
NORTH WEST FRONT ELEVATION:	PRIMARY MATERIAL 75%	PRIMARY MATERIAL 710	PRIMARY MATERIAL 82%
	BRICK 176	BRICK 742	BRICK 742
	GLAZING 38	GLAZING 742	GLAZING 742
	STONE 694	STONE 807	STONE 807
	TOTAL 2855	TOTAL 2855	TOTAL 2855
SOUTH WEST ELEVATION:	PRIMARY MATERIAL 75%	PRIMARY MATERIAL 957	PRIMARY MATERIAL 83%
	BRICK 254	BRICK 1,076	BRICK 1,076
	GLAZING 24	GLAZING 1,152	GLAZING 1,152
	STONE 180	STONE 1,152	STONE 1,152
	TOTAL 3850	TOTAL 3,850	TOTAL 3,850
SOUTH EAST ELEVATION:	PRIMARY MATERIAL 75%	PRIMARY MATERIAL 903	PRIMARY MATERIAL 78%
	BRICK 121	BRICK 405	BRICK 405
	GLAZING 32	GLAZING 405	GLAZING 405
	STONE 55	STONE 748	STONE 748
	TOTAL 2,652	TOTAL 2,652	TOTAL 2,652
NORTH EAST ELEVATION:	PRIMARY MATERIAL 75%	PRIMARY MATERIAL 2,289	PRIMARY MATERIAL 90%
	BRICK 193	BRICK 2,289	BRICK 2,289
	GLAZING 35	GLAZING 18	GLAZING 18
	STONE 1197	STONE 1,197	STONE 1,197
	TOTAL 3,875	TOTAL 3,875	TOTAL 3,875



NORTH/WEST ELEVATION
SCALE: 1/8" = 1'-0"

MATERIAL TAKE OFF

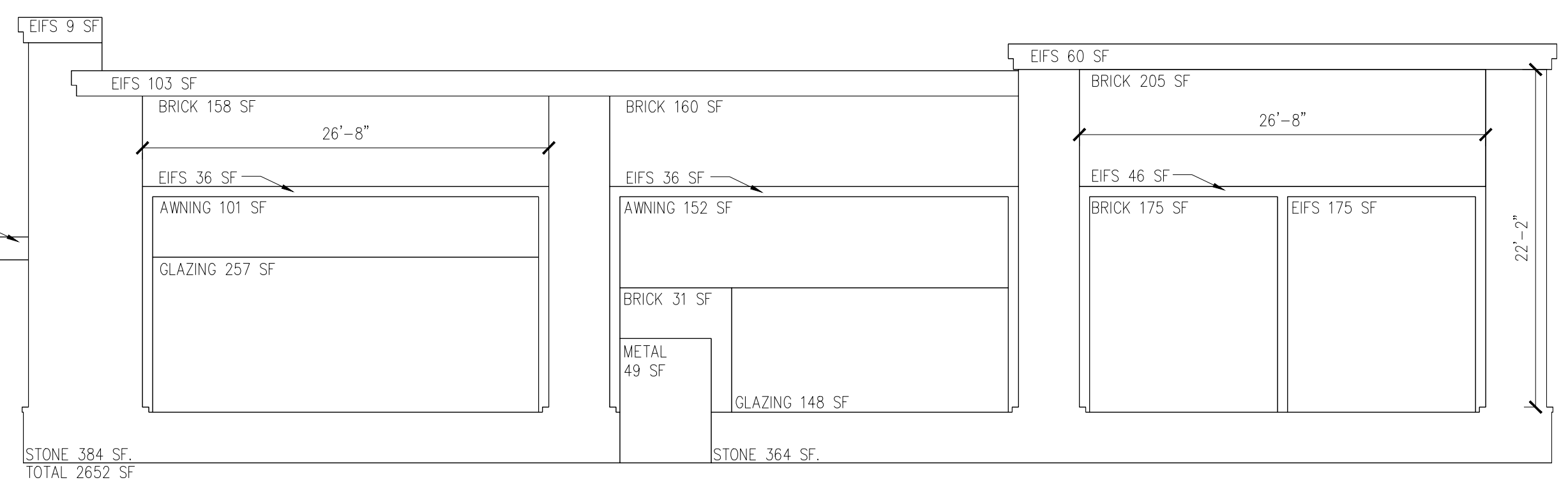
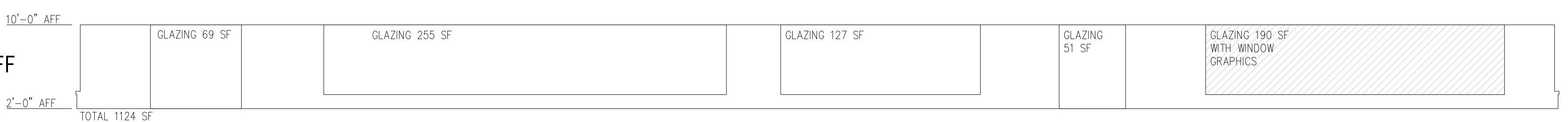
TRANSPARENCY TAKE OFF



SOUTH/WEST ELEVATION
SCALE: 1/8" = 1'-0"

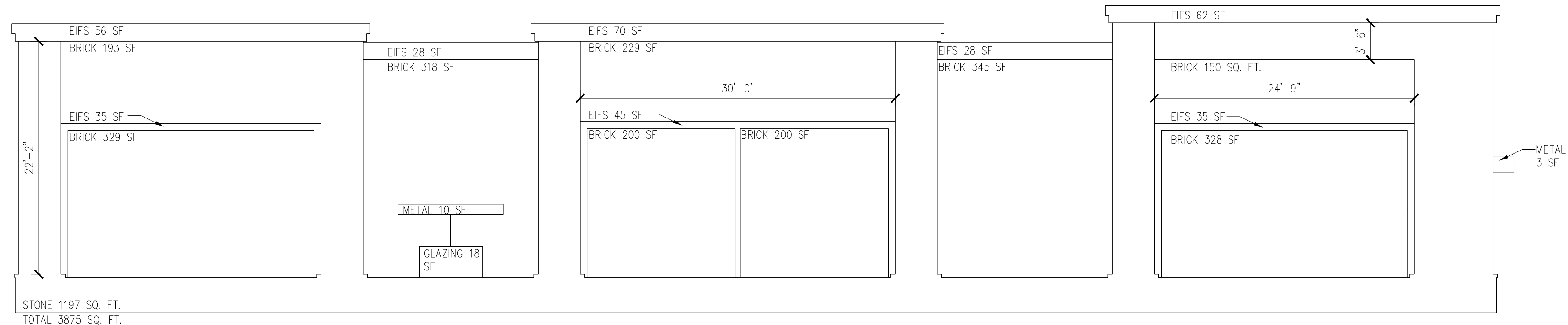
MATERIAL TAKE OFF

TRANSPARENCY TAKE OFF



SOUTH/EAST ELEVATION
SCALE: 1/8" = 1'-0"

MATERIAL TAKE OFF

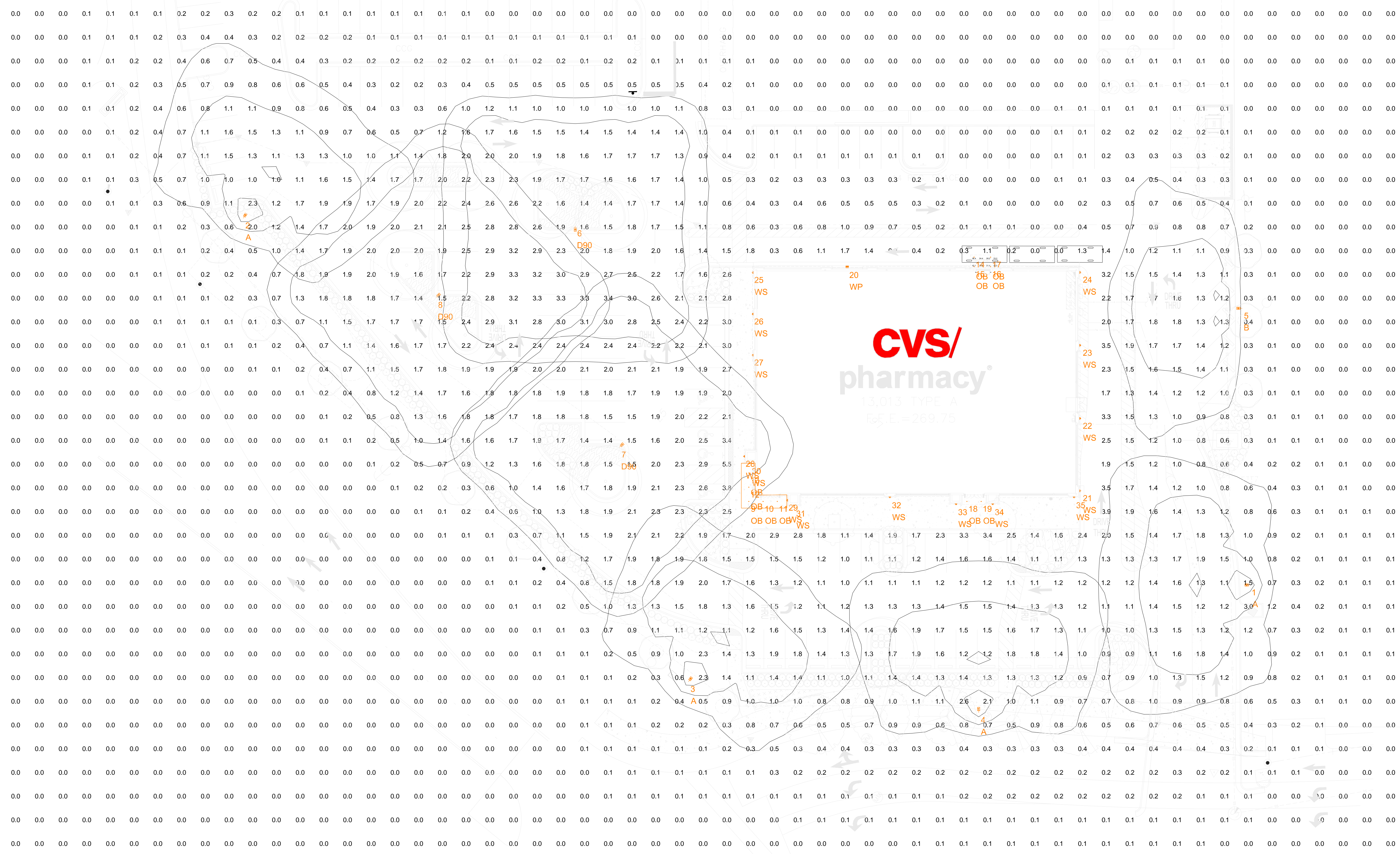


NORTH/EAST ELEVATION
SCALE: 1/8" = 1'-0"

MATERIAL TAKE OFF

NORR
ARCHITECTS ENGINEERS PLANNERS
150 W. Jefferson Avenue
Suite 1300
Detroit, MI 48226
www.norr.com

REDD REALTY SERVICES



CVS/
 pharmacy
 13,013 TYPE A
 F5 E = 269.7

SITE PHOTOMETRIC PLAN
 SCALE: 1" = 20'-0"

* Z = LUMINAIRE MOUNTING HEIGHT A.F.G.

Luminaire Location Summary						
LumNo	Label	X	Y	Z *	Orient	Tilt
1	A	312.036	-637.759	28	180	0
2	A	-115.864	-477.159	28	57.457	0
3	A	75.636	-667.959	28	53.52	0
4	A	190.336	-682.959	28	90	0
5	B	304.236	-518.859	28	180	0
6	D90	27.436	-474.359	28	270	0
7	D90	41.536	-570.159	28	44.3	0
8	D90	-34.164	-507.859	28	42.4	0
9	OB	97.384	-596.635	13.33	0	0
10	OB	103.384	-596.635	13.33	0	0
11	OB	109.384	-596.635	13.33	0	0
12	OB	97.384	-590.635	13.33	0	0
13	OB	97.384	-584.635	13.33	0	0
14	OB	192.384	-493.635	9.33	0	0
15	OB	192.384	-497.635	9.33	0	0
16	OB	199.384	-497.635	9.33	0	0
17	OB	199.384	-493.635	9.33	0	0
18	OB	189.384	-596.635	13.33	0	0
19	OB	195.384	-596.635	13.33	0	0
20	WP	138.884	-498.035	15	90	0
21	WS	237.384	-592.135	9	0	0
22	WS	237.384	-561.635	9	0	0
23	WS	237.384	-530.835	9	0	0
24	WS	237.384	-500.035	9	0	0
25	WS	98.784	-500.135	9	180	0
26	WS	98.784	-517.635	9	180	0
27	WS	98.784	-534.935	9	180	0
28	WS	95.184	-577.635	9	180	0
29	WS	113.284	-596.135	9	180	0
30	WS	97.784	-580.735	9	270	0
31	WS	116.484	-598.635	9	270	0
32	WS	156.884	-595.135	9	270	0
33	WS	184.784	-598.035	9	270	0
34	WS	200.284	-598.035	9	270	0
35	WS	234.584	-595.135	9	270	0

Luminaire Schedule										
Symbol	Label	Qty	Description	Arrangement	Lum. Watts	Lum. Lumens	LMF	LDD	BF	LLF
	A	4	CL1-60L-4K-4 (Hubbell Ltg)	SINGLE	141	12036	0.950	0.950	1.000	0.903
	B	1	CL1-60L-4K-3-BC (Hubbell Ltg)	SINGLE	143.5	7728	0.950	0.950	1.000	0.903
	D90	3	CL1-90L-4K-5M (Hubbell Ltg)	SINGLE	207.8	18522	0.950	0.950	1.000	0.903
	OB	11	5811 1SA-T-20L-8040-M-LD-1-SS	SINGLE	19.9	1130	0.950	0.900	1.000	0.855
	WP	1	DSXW1 LED 10C 1000 40K TFTM MVOLT	SINGLE	40	3065	0.950	0.950	1.000	0.903
	WS	15	AP-XL2-60W-LED/U/D-4K-120-PNA	SINGLE	77.3	5187	0.950	0.950	1.000	0.903

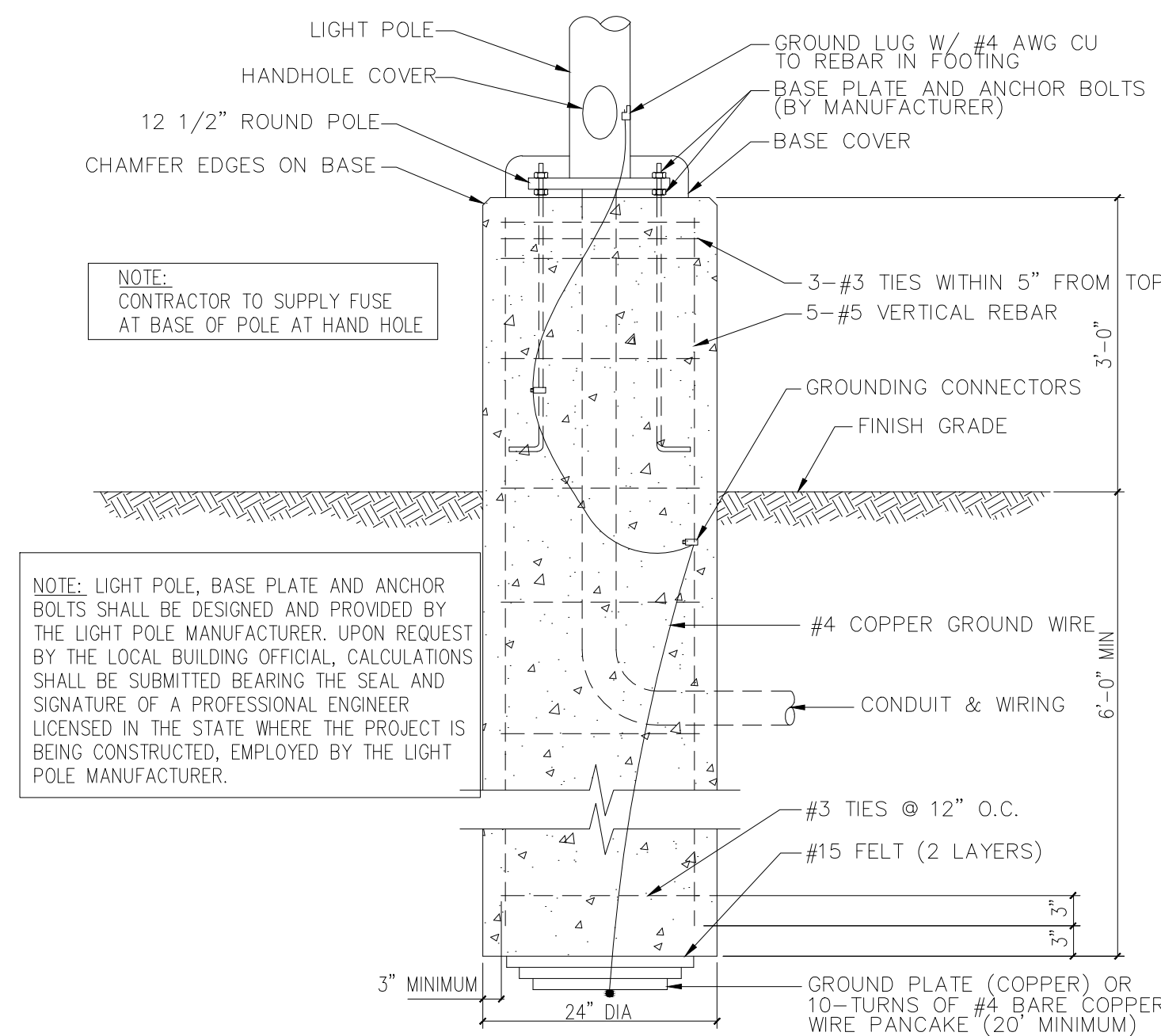
SITE LIGHTING LUMINAIRE SCHEDULE

SCALE: NTS

Calculation Summary							
Label	Description	Units	Avg	Max	Min	Avg/Min	Max/Min
DRIVE-THRU		Fc	32.20	40.1	24.4	1.32	1.64
CVS PARKING	1.0 FC MINIMUM	Fc	1.90	5.5	1.0	1.90	5.50

PHOTOMETRIC CALCULATION MATRIX

SCALE: NTS

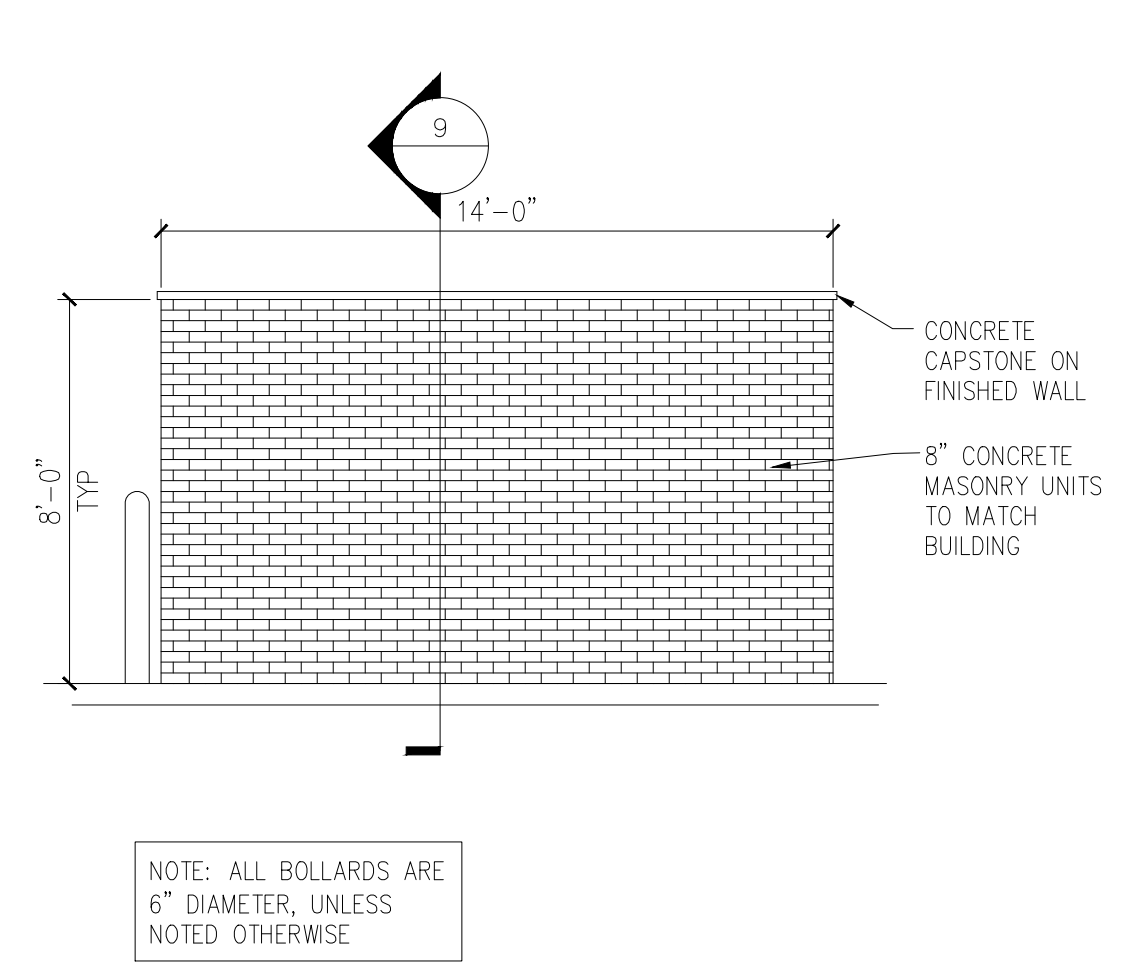


BASE DETAIL SITE LIGHTING

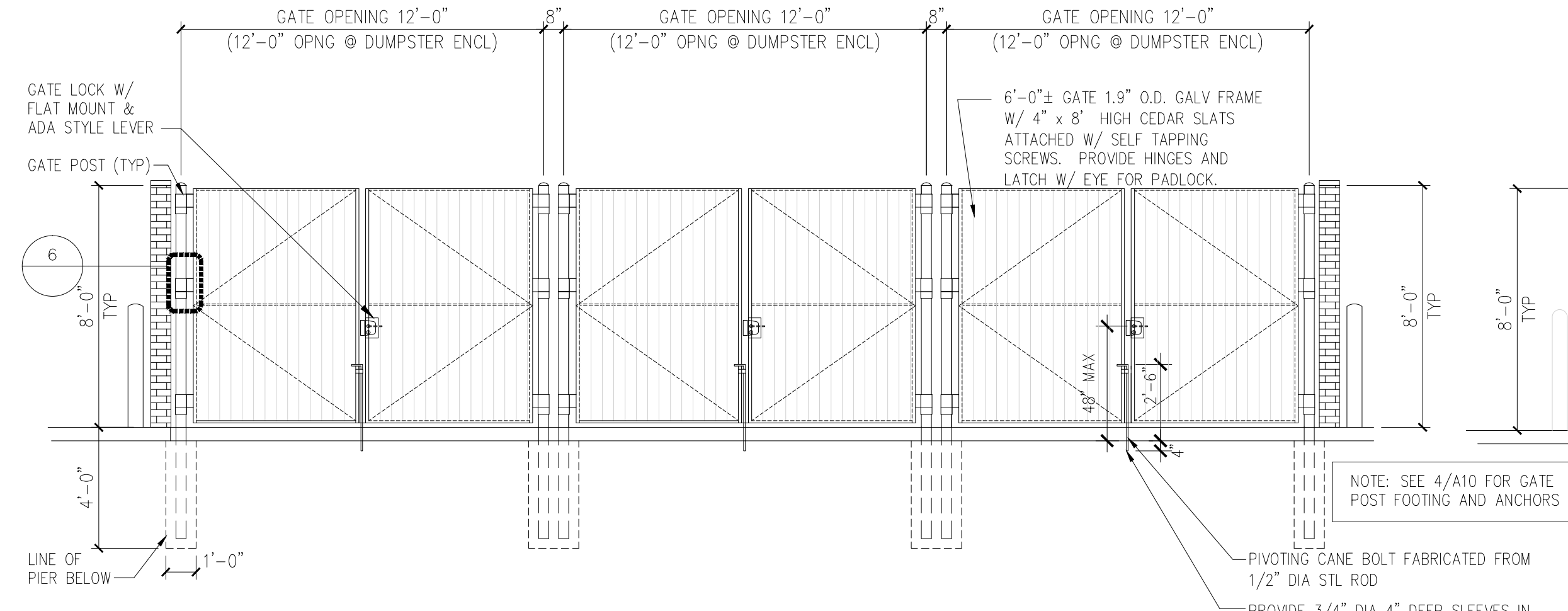
SCALE: NTS

SITE LIGHTING MOUNTING HEIGHTS

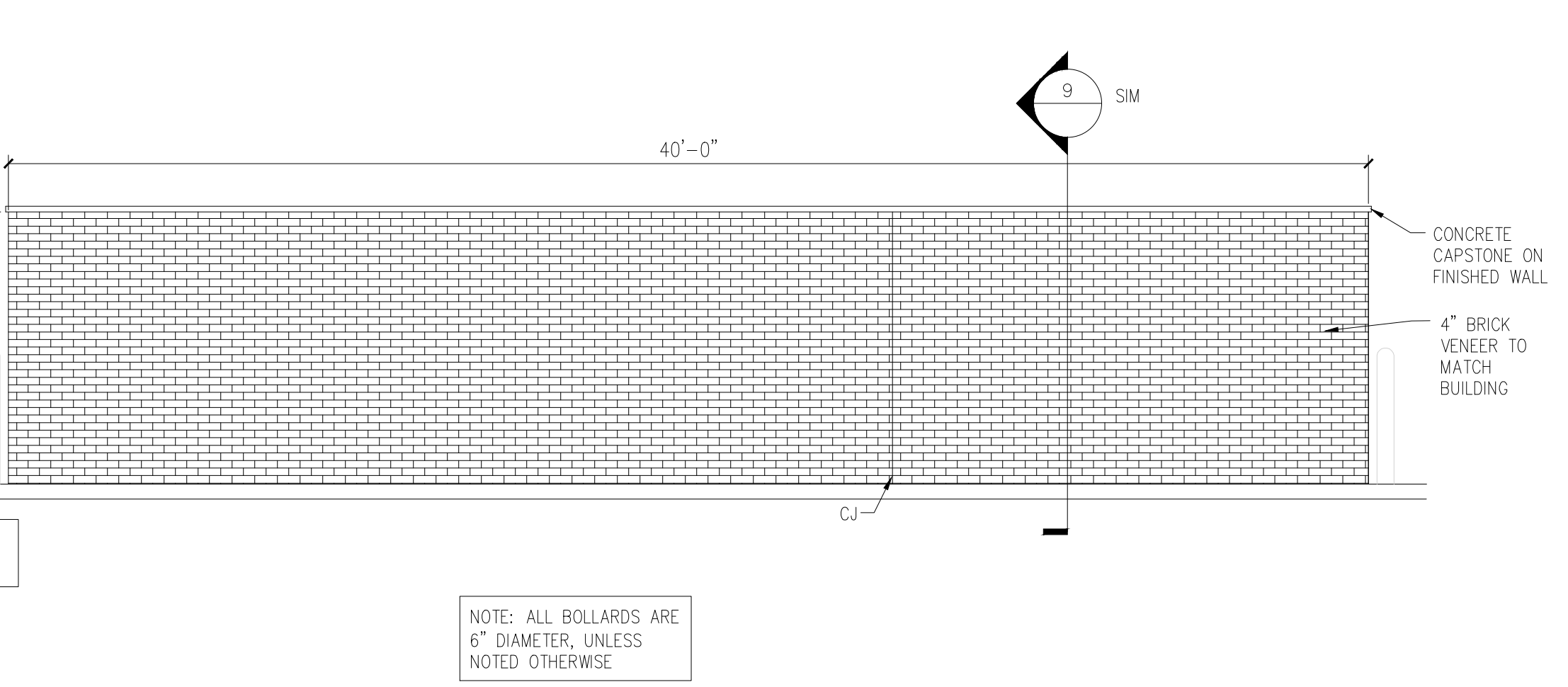
SCALE: NTS



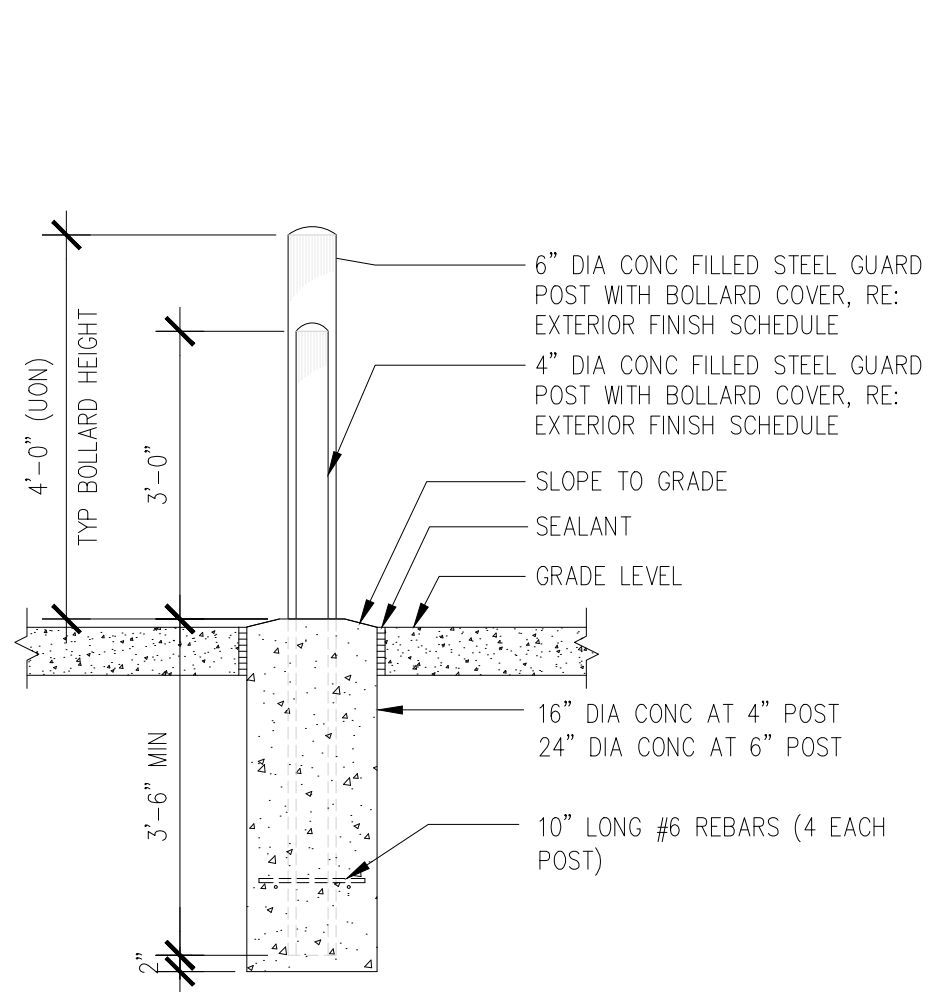
1 DUMPSTER/COMPACTOR ENCLOSURE ELEVATION
SCALE: 1/4" = 1'-0"



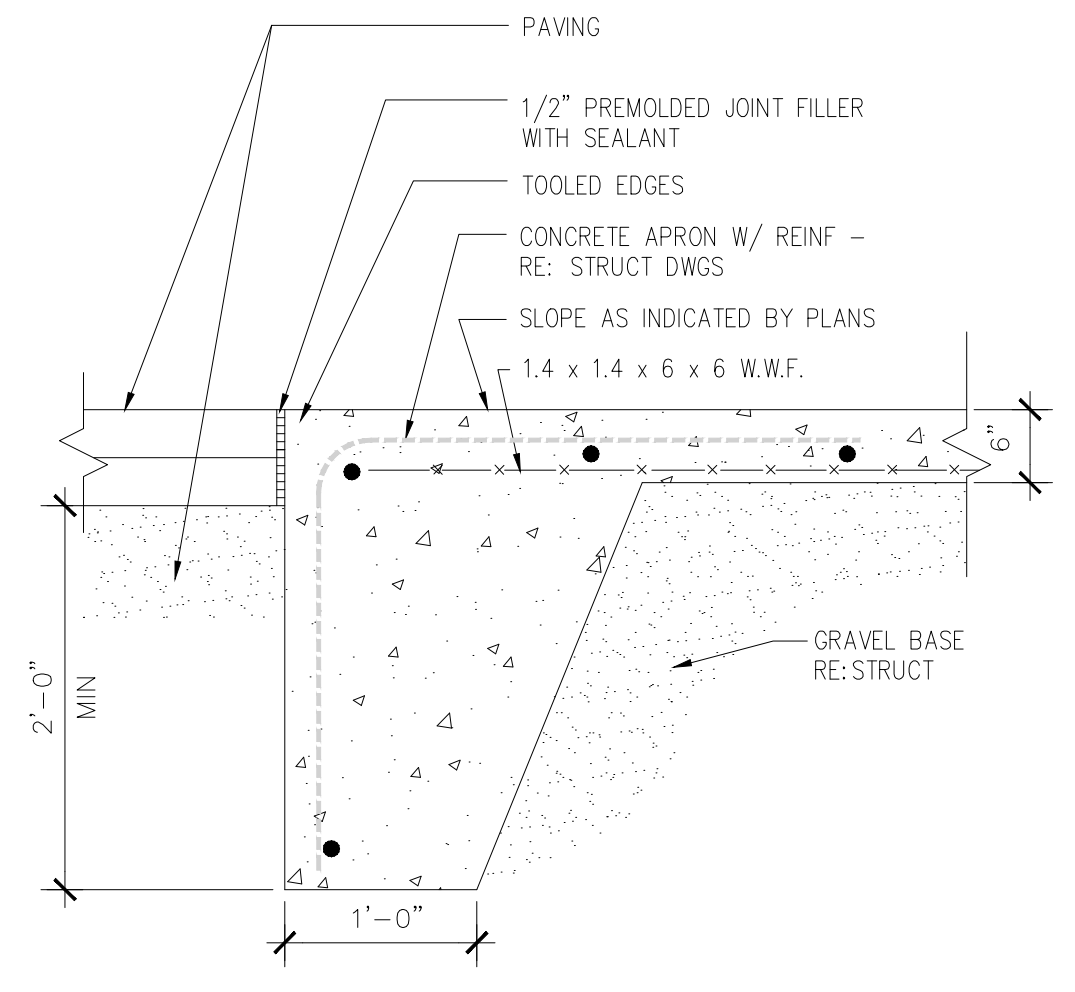
2 GATE ELEVATION
SCALE: 1/4" = 1'-0"



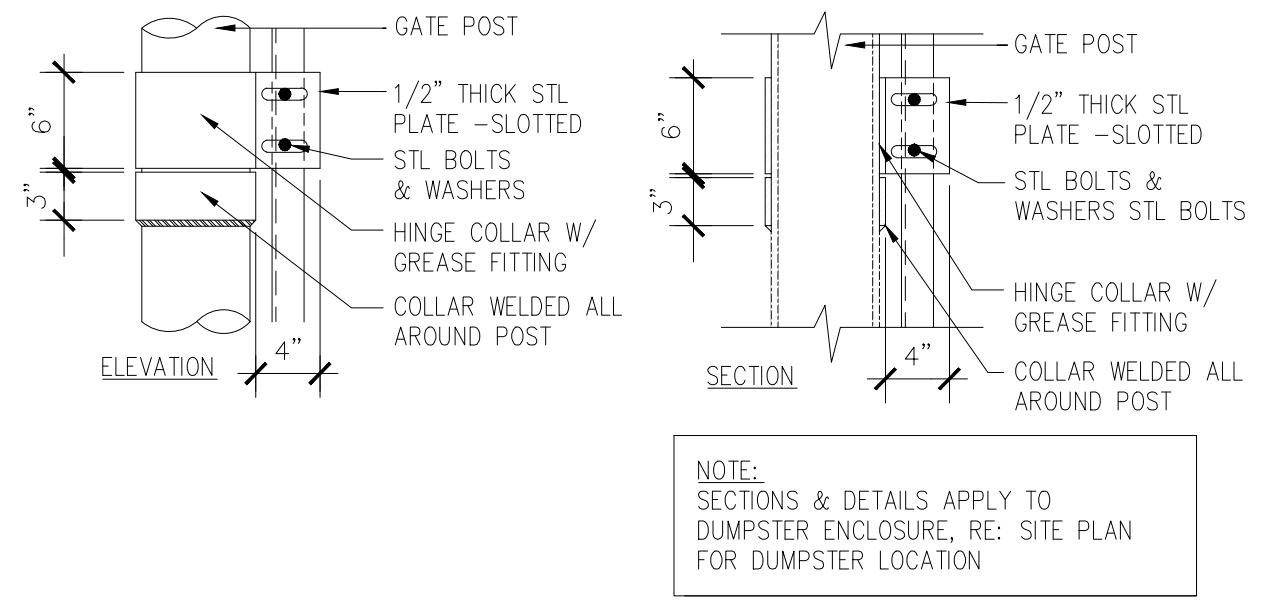
3 DUMPSTER/COMPACTOR ENCLOSURE ELEVATION
SCALE: 1/4" = 1'-0"



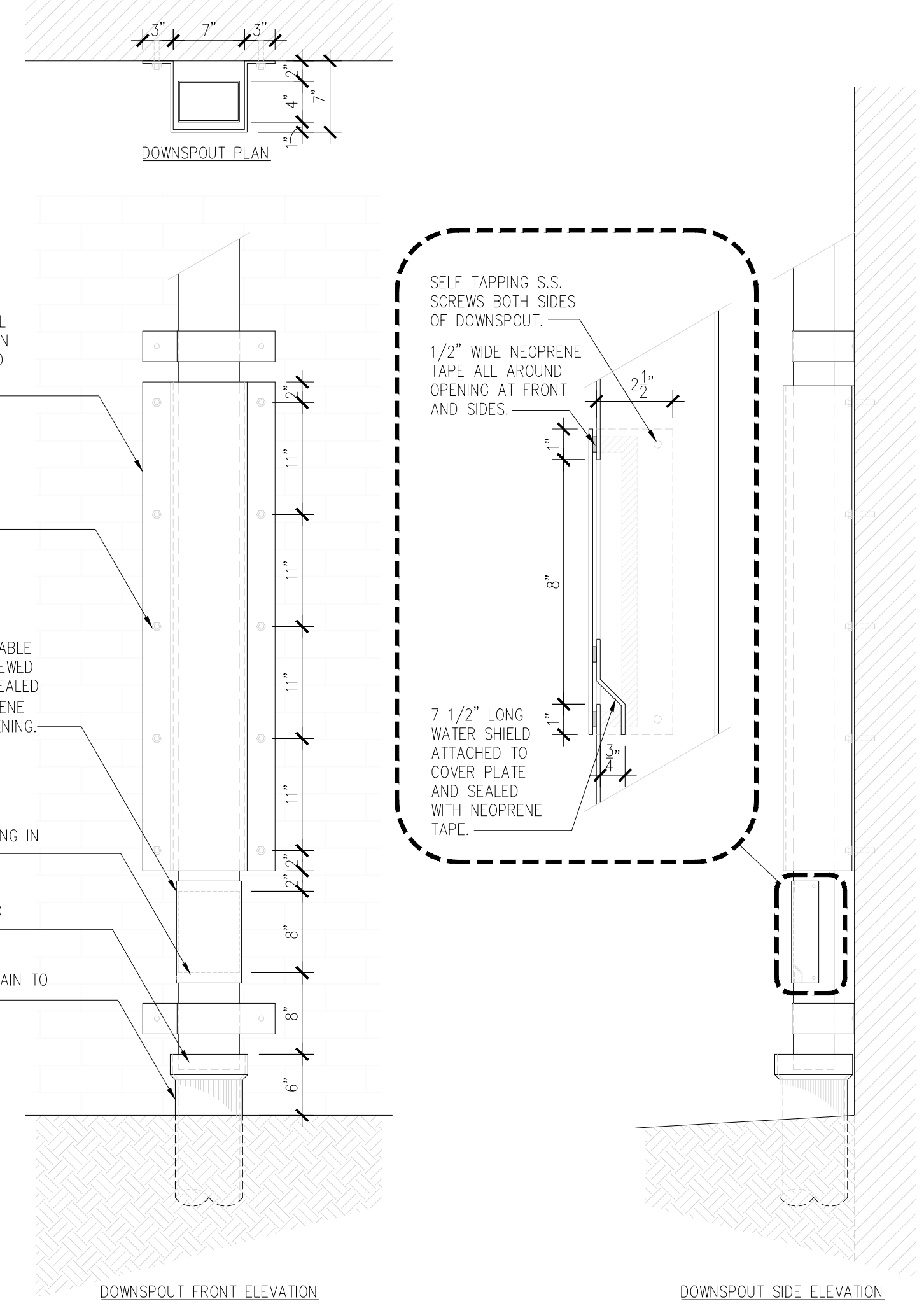
4 EXT BOLLARD DETAIL
SCALE: 1/2" = 1'-0"



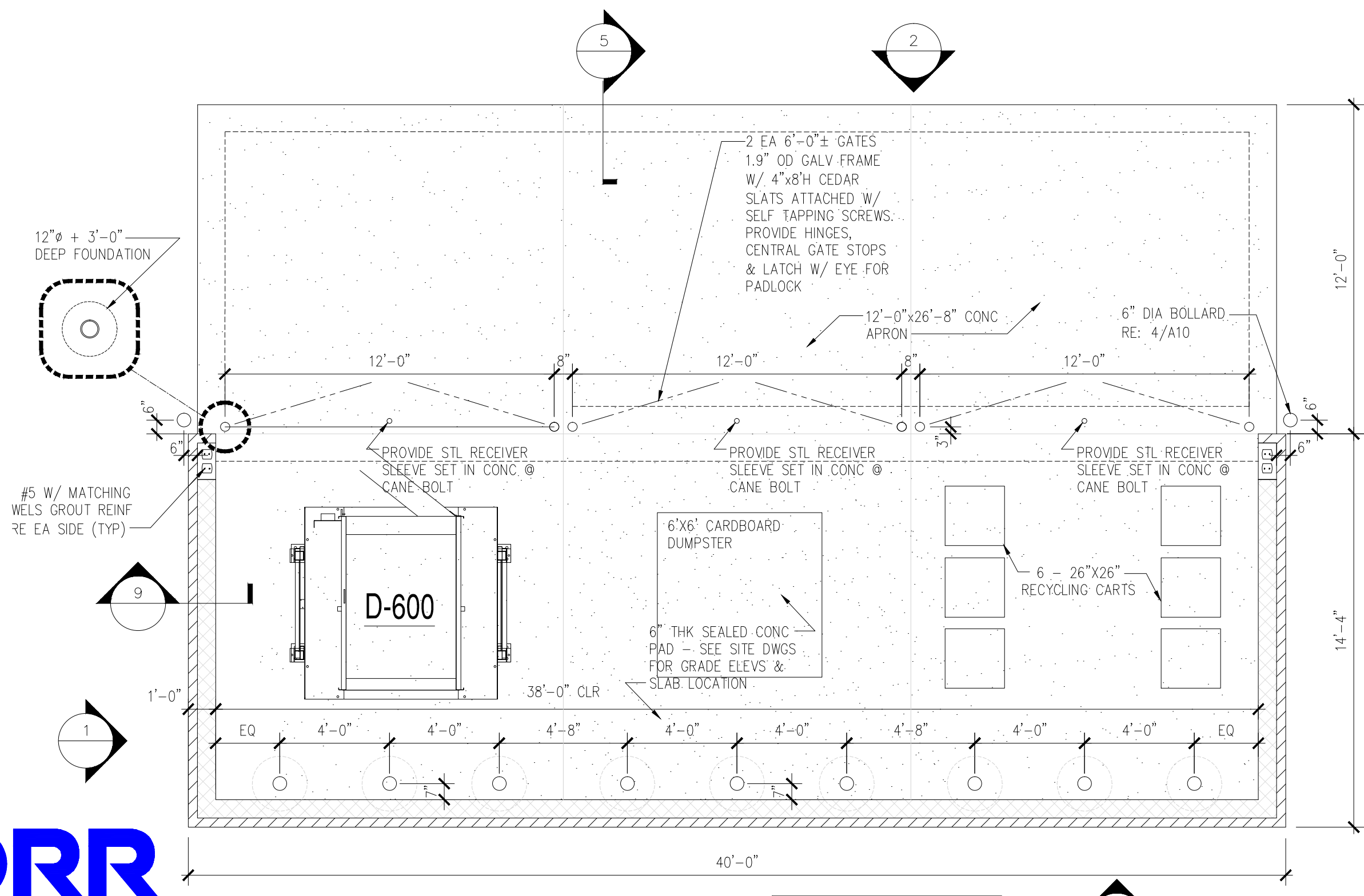
5 CONC APRON DETAIL
SCALE: 1" = 1'-0"



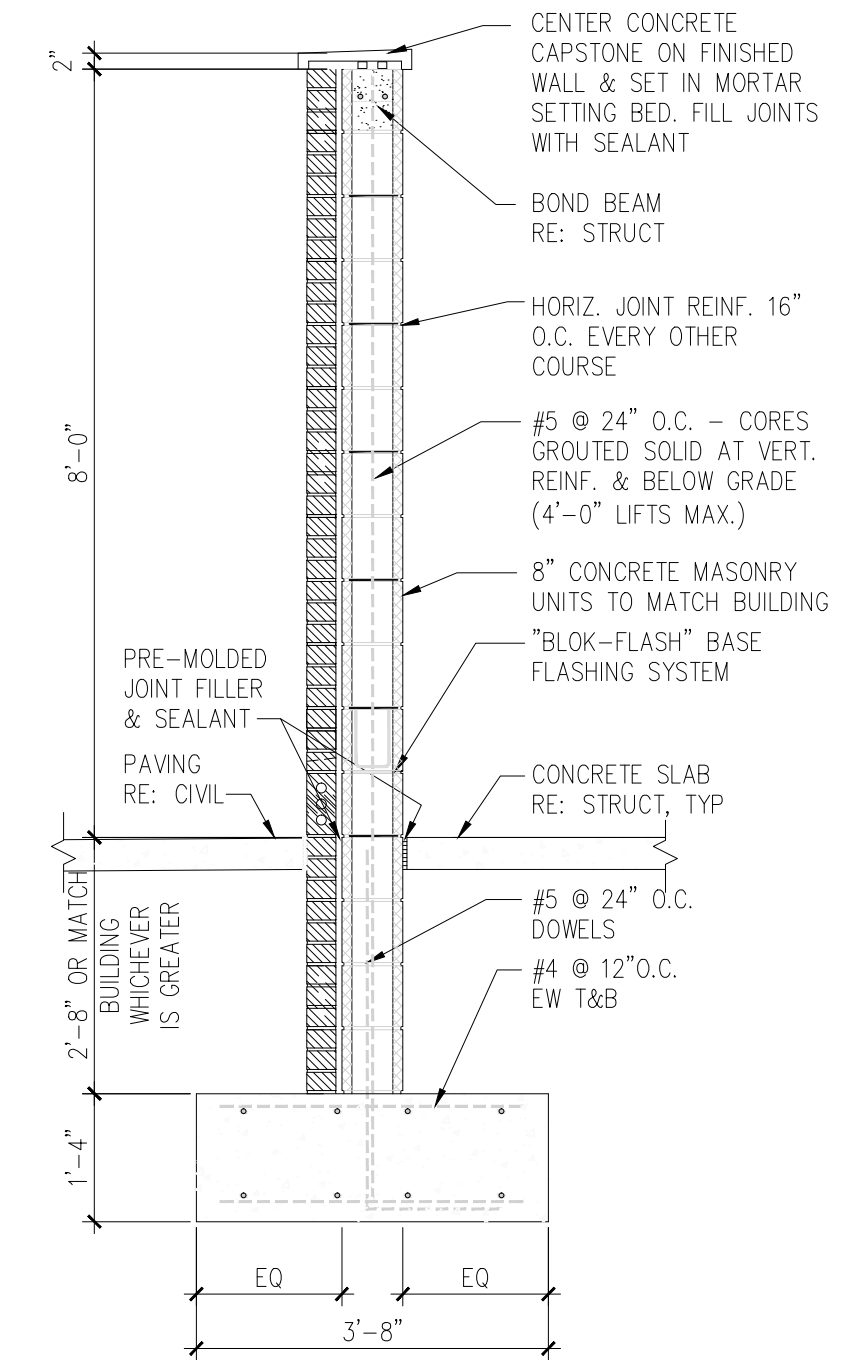
6 GATE HINGE DETAIL
SCALE: 1" = 1'-0"



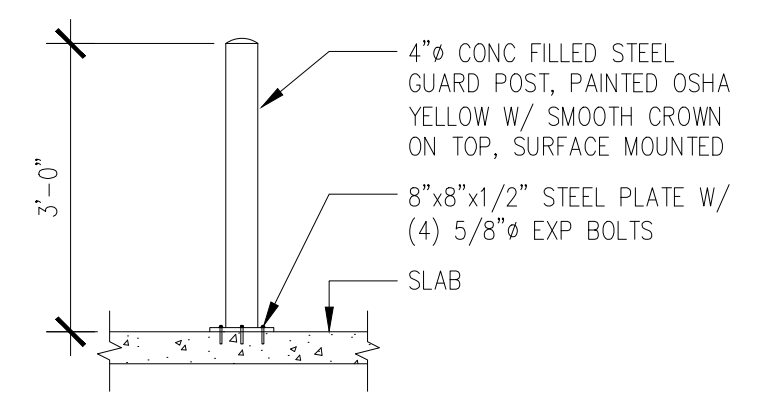
7 DS GUARD & C.O. DETAIL
SCALE: 1" = 1'-0"



8 DUMPSTER ENCLOSURE PLAN
SCALE: 1/4" = 1'-0"



9 ENCLOSURE SECTION
SCALE: 1/2" = 1'-0"



10 INT BOLLARD DETAIL
SCALE: 1/2" = 1'-0"

MERCHANDISE FIXTURE LEGEND

- B.O. 78"X48"WX16"D B.O.=BACKROOM ORGANIZER
- PALLET POSITION 3'-8" x 4'-4" AREA
- I.S. RACK 8'-0"x3'-6" HEAVY DUTY PALLET RACKS
- RX STORAGE RACK
- RETAIL STORAGE CART
- EMPLOYEE LOCKERS
- COAT RACK
- LOOSE PICK OVERSTOCK
- U-BOAT STOCK CART
- HAND TRUCK
- MOP ORGANIZER
- BULK STORAGE CART
- SHOPPING BASKET HOLDER
- FIRE EXTINGUISHER
- PEG STORAGE CART
- EMPTY TRAYS & PALLETS
- PALLET JACK & EMPTY PALLETS
- 11 AISLE MARKER
- FIXTURE TAG
- COMMUNICATION JACK w/ LETTER INDICATING TYPE: T=TELEPHONE, P=P.O.S, D=DATA, I=INTERCOM, PF=POWER FAILURE

STORE AREA CALCULATIONS

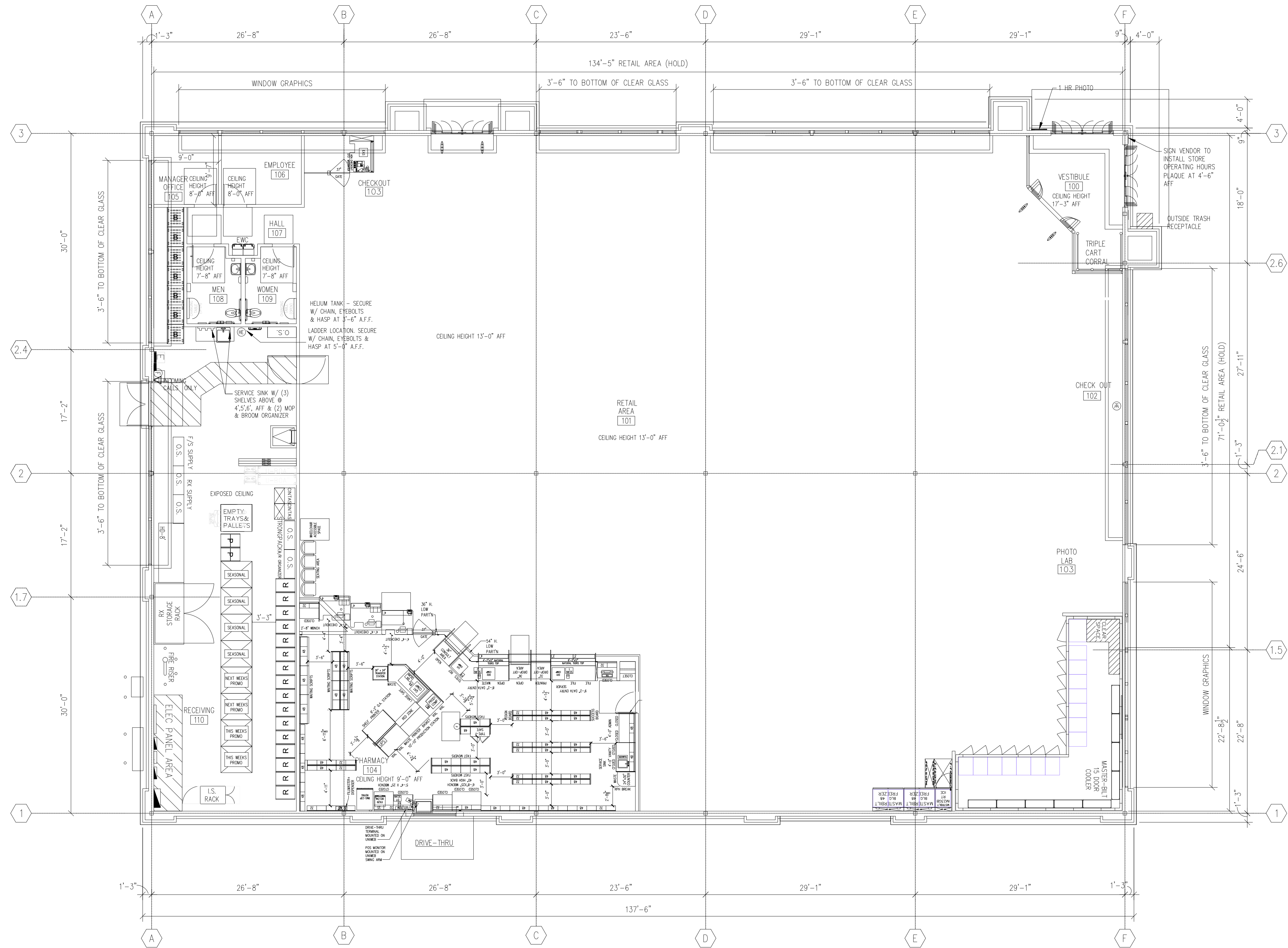
SCALE: 1/8" = 1'-0"	SERVICE AREA: 821 S.F.	RETAIL AREA: 10,624 S.F. (PHARMACY AREA INCLUDED)
TOTAL STORE AREA: 13,013 S.F.	PHARMACY AREA: 1,160 S.F.	
RECEIVING AREA: 1,443 S.F.		

ARCHITECT INFO:

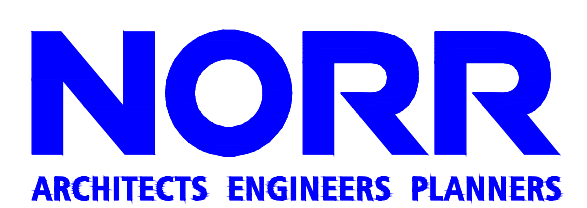
COMPANY NAME: NORR
 CONTACT NAME: Laura Long
 CONTACT PHONE: 313.324.3126
 CONTACT EMAIL: Laura.Long@norr.com

CVS STORE LAYOUT INFO:

CONTACT NAME: XXXX
 CONTACT PHONE: XXXX
 CONTACT EMAIL: XXXX



1 FLOOR PLAN
 SCALE: 1/8" = 1'-0"



150 W. Jefferson Avenue
 Suite 1300
 Detroit, MI 48226
 www.norr.com



CVS # 3898 HWY 15 / 501 & EPHEBUS CHURCH ROAD, CHAPEL HILL, NC.

A7

CVS/pharmacy

03.20.2015



NORTH/WEST ELEVATION

SCALE: 1/8" = 1'-0"



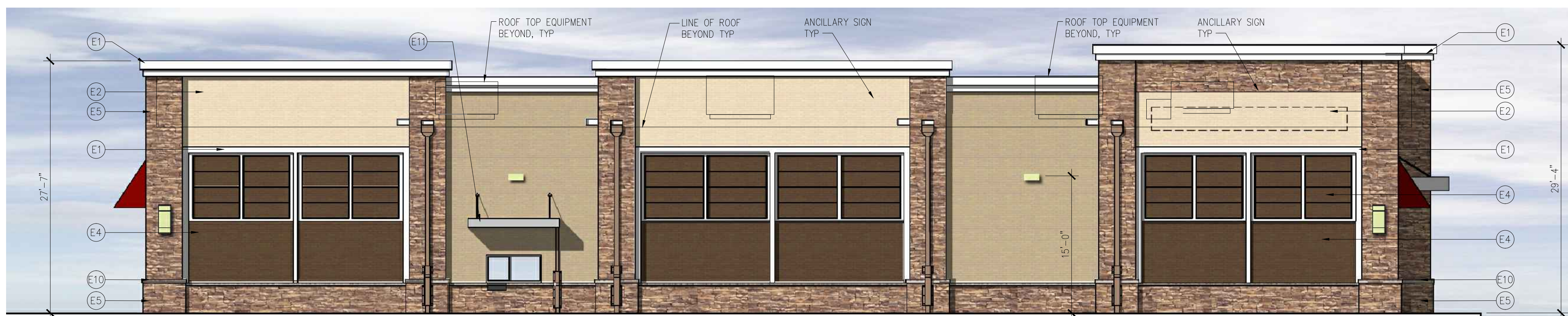
SOUTH/WEST ELEVATION

SCALE: 1/8" = 1'-0"



SOUTH/EAST ELEVATION

SCALE: 1/8" = 1'-0"



NORTH/EAST ELEVATION

SCALE: 1/8" = 1'-0"

EXTERIOR FINISH CALCULATIONS			
ELEVATION	REQUIRED %	DESIGNED SF.	DESIGNED %
NORTH WEST FRONT ELEVATION:	PRIMARY MATERIAL BRICK GLAZING STONE	75% PRIMARY MATERIAL BRICK 710 GLAZING 742 STONE 807	82% PRIMARY MATERIAL BRICK GLAZING STONE
	SECONDARY MATERIALS EIFS OTHER	25% SECONDARY MATERIALS EIFS 267 OTHER 256	18% SECONDARY MATERIALS EIFS OTHER
	TOTAL	100% TOTAL 2855	100% TOTAL 2855
	GLAZING 2'-0" - 10'-0" TOTAL	60% GLAZING 509 TRANSPARENCY 60%	64% GLAZING 509 TRANSPARENCY 64%
TOTAL GLAZING 2'-10"	100% TOTAL GLAZING 2'-10" TRANSPARENCY 509 325	100% TOTAL GLAZING 2'-10" TRANSPARENCY 509 325	
SOUTH WEST ELEVATION:	PRIMARY MATERIAL BRICK GLAZING STONE	75% PRIMARY MATERIAL BRICK 957 GLAZING 1,076 STONE 1,152	83% PRIMARY MATERIAL BRICK GLAZING STONE
	SECONDARY MATERIALS EIFS OTHER	25% SECONDARY MATERIALS EIFS 372 OTHER 293	17% SECONDARY MATERIALS EIFS OTHER
	TOTAL	100% TOTAL 3,850	100% TOTAL 3,850
	GLAZING 2'-0" - 10'-0" TOTAL	60% GLAZING 692 TRANSPARENCY 60%	62% GLAZING 692 TRANSPARENCY 62%
TOTAL GLAZING 2'-10"	100% TOTAL GLAZING 2'-10" TRANSPARENCY 692 502	100% TOTAL GLAZING 2'-10" TRANSPARENCY 692 502	
SOUTH EAST ELEVATION:	PRIMARY MATERIAL BRICK GLAZING STONE	75% PRIMARY MATERIAL BRICK 903 GLAZING 405 STONE 748	78% PRIMARY MATERIAL BRICK GLAZING STONE
	SECONDARY MATERIALS EIFS OTHER	25% SECONDARY MATERIALS EIFS 293 OTHER 303	22% SECONDARY MATERIALS EIFS OTHER
	TOTAL	100% TOTAL 2,652	100% TOTAL 2,652
	GLAZING 2'-0" - 10'-0" TOTAL	60% GLAZING 692 TRANSPARENCY 60%	62% GLAZING 692 TRANSPARENCY 62%
TOTAL GLAZING 2'-10"	100% TOTAL GLAZING 2'-10" TRANSPARENCY 692 502	100% TOTAL GLAZING 2'-10" TRANSPARENCY 692 502	
NORTH EAST ELEVATION:	PRIMARY MATERIAL BRICK GLAZING STONE	75% PRIMARY MATERIAL BRICK 2,289 GLAZING 18 STONE 1,197	90% PRIMARY MATERIAL BRICK GLAZING STONE
	SECONDARY MATERIALS EIFS OTHER	25% SECONDARY MATERIALS EIFS 359 OTHER 13	10% SECONDARY MATERIALS EIFS OTHER
	TOTAL	100% TOTAL 3,675	100% TOTAL 3,675
	GLAZING 2'-0" - 10'-0" TOTAL	60% GLAZING 692 TRANSPARENCY 60%	62% GLAZING 692 TRANSPARENCY 62%
TOTAL GLAZING 2'-10"	100% TOTAL GLAZING 2'-10" TRANSPARENCY 692 502	100% TOTAL GLAZING 2'-10" TRANSPARENCY 692 502	

EXTERIOR FINISH SCHEDULE					
TAG	MATERIAL / DESCRIPTION	MFR	STYLE/ CAT. NO.	COLOR	NOTES
E1	EIFS	STO LOTUSAN SYSTEM	191 STOLIT LOTUSAN 1.5	SW 6385 DOVER WHITE	SEE SPECIFICATION
E2	BRICK	BORAL BRICK	FREEDOM COLLECTION MODULAR	WHEAT	MORTAR: BRIXMENT C-324
E3	BRICK	BORAL BRICK	FREEDOM COLLECTION MODULAR	CITADEL	MORTAR: BRIXMENT C-324
E4	BRICK	BORAL BRICK	MAINSTREET COLLECTION MODULAR	HYANNISPORT	MORTAR: BRIXMENT C-324
E5	PRECAST STONE	ELDORADO STONE	STACKED STONE	PAGOSA SPRINGS	MORTAR: BRIXMENT C-324
E6	AWNING	SUNBRELLA	FIREISIT	CRIMSON RED 82017	SEE SPECIFICATION
E7	ALUM STOREFRONT/AUTOMATIC DOOR	SEE SPECS	SEE SPECS	VALSPAR BLACK 378X500	SEE SPECIFICATION
E8A	PAINT	SHERWIN WILLIAMS	SEE SPECS	SW 6117 SMOKEY TOPAZ	SEE SPECIFICATION
E8B	PAINT	SHERWIN WILLIAMS	SEE SPECS	MATCH E1	SEE SPECIFICATION
E9	BOLLARD COVER	SEE "SITE & STREET FURNISHINGS" SPEC	SEE "SITE & STREET FURNISHINGS" SPEC	YELLOW	TYP FOR ALL PIPE BOLLARDS (UON)
E10	PRECAST STONE SILL	ELDORADO STONE	STACKED STONE	PAGOSA SPRINGS	SILL SIZE C406 R
E11	ALUMINUM CANOPY	MAPES ARCHITECTURAL CANOPIES	CLASS II CLEAR ANODIZED		
E12	PRECAST STONE SILL	ELDORADO STONE	CHISELED EDGE WAINSCOT SILL	BUCKSKIN	2" HIGH X 3" DEEP

NOTE: SIGNAGE UNDER SEPARATE PERMIT

- NOTE:
- ALL FABRIC AWNINGS PROJECT OUT FROM BUILDING 4'-0"
 - ALUMINUM CANOPIES AT WINDOWS PROJECT OUT FROM BUILDING 4'-0"
 - ALUMINUM CANOPY AT MAIN ENTRANCE PROJECT OUT FROM THE BUILDING 6'-0"