



**TOWN OF CHAPEL HILL  
Planning Department**

405 Martin Luther King Jr. Blvd.  
Chapel Hill, NC 27514-5705

phone (919) 968-2728 fax (919) 969-2014  
www.townofchapelhill.org

## Community Design Commission Final Plan Application

This application should be used to submit Final Plan applications to the Community Design Commission including building elevations, site lighting, and alternative buffers. For assistance with this application, please contact the Chapel Hill Planning Department at (919) 968-2728 or at [planning@townofchapelhill.org](mailto:planning@townofchapelhill.org).

### Section A: Property Information

Property Address:

Zoning:

Type of Application

Building Elevation  Site Lighting  Alternative Buffers

### Section B: Applicant Information (for contact purposes)

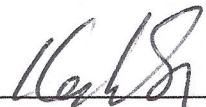
Name:

Address:

City:  State:  Zip Code:

Phone Number:  E-mail:

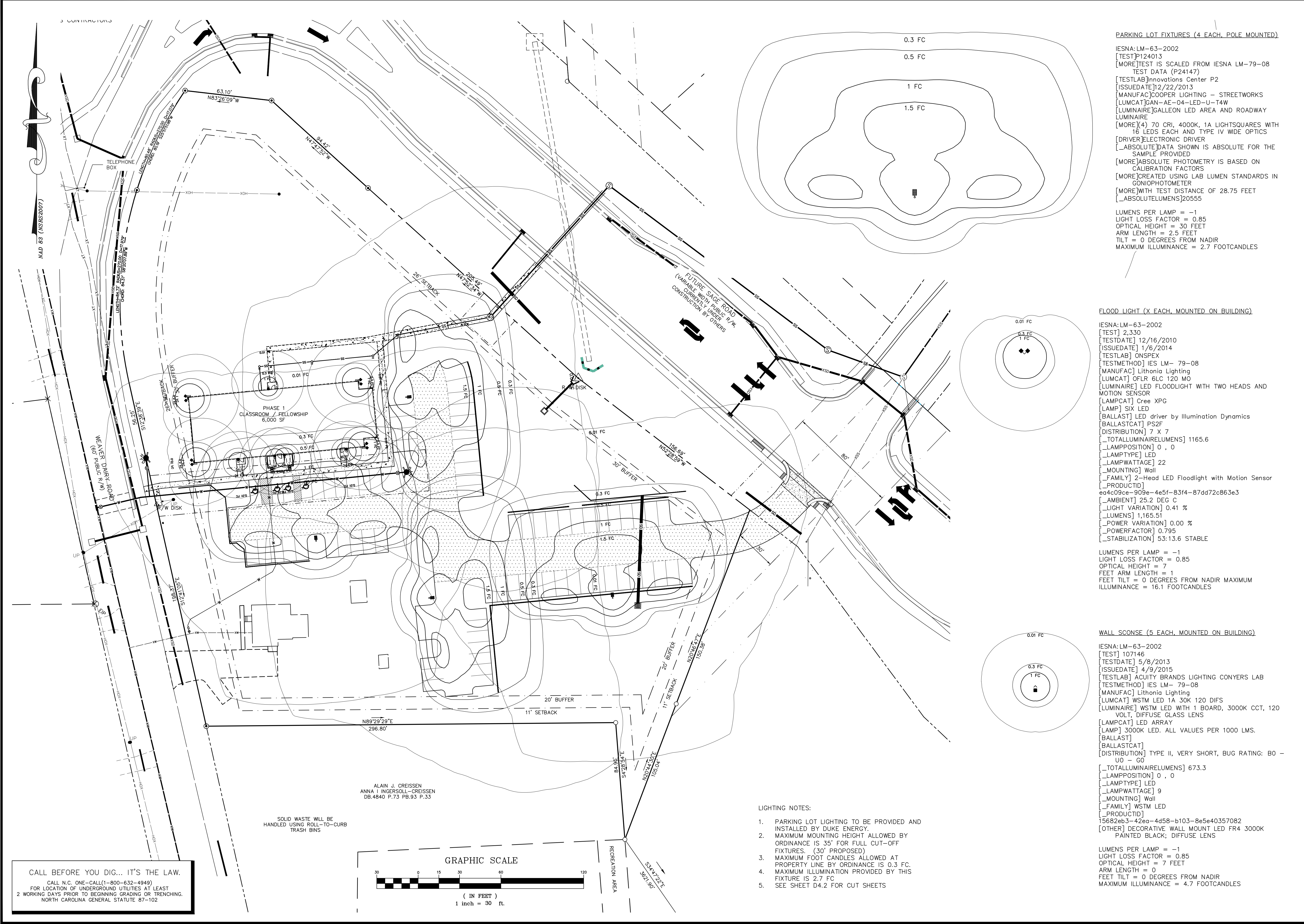
Any persons intending to construct, install, remodel, repair, or alter any property in Chapel Hill, may be required to obtain a Business/Privilege License. The application can be found on the web at the following address: <http://www.townofchapelhill.org/index.aspx?page=1199>. Please contact the Revenue Collector, 919-968-2759, if you have any questions. The undersigned applicant hereby certifies that: a) the property owner authorizes the filing of this application; b) authorizes on-site review by authorized staff; and c) to the best of his knowledge and belief, all information supplied with this application is true and accurate.

Signature:  Date: 4-28-15

Parcel Identifier Number (PIN):

\$  
9890-32-7289

The Community Design Commission meets regularly on the third Wednesday of each month. For confirmation of a meeting date and the placement of your request on the agenda, please contact the Planning Department at (919) 968-2728.



**PARKING LOT FIXTURES (4 EACH, POLE MOUNTED)**

IESNA: LM-63-2002  
 [TEST] 124013  
 [MORE] TEST IS SCALED FROM IESNA LM-79-08  
 TEST DATA (P24147)  
 [TESTLAB] Innovations Center P2  
 [ISSUEDATE] 12/22/2013  
 [MANUFAC] COOPER LIGHTING - STREETWORKS  
 [LUMCAT] GAN-AE-04-LED-U-T4W  
 [LUMINAIRE] GALLEON LED AREA AND ROADWAY LUMINAIRE  
 [MORE] (4) 70 CRI, 4000K, 1A LIGHTSQUARES WITH 16 LEDS EACH AND TYPE IV WIDE OPTICS  
 [DRIVER] ELECTRONIC DRIVER  
 [ABSOLUTE] DATA SHOWN IS ABSOLUTE FOR THE SAMPLE PROVIDED  
 [MORE] ABSOLUTE PHOTOMETRY IS BASED ON CALIBRATION FACTORS  
 [MORE] CREATED USING LAB LUMEN STANDARDS IN GONIOPHOTOMETER  
 [MORE] WITH TEST DISTANCE OF 28.75 FEET  
 [ABSOLUTE] LUMENS] 20555

LUMENS PER LAMP = -1  
 LIGHT LOSS FACTOR = 0.85  
 OPTICAL HEIGHT = 30 FEET  
 ARM LENGTH = 2.5 FEET  
 TILT = 0 DEGREES FROM NADIR  
 MAXIMUM ILLUMINANCE = 2.7 FOOTCANDLES

**FLOOD LIGHT (X EACH, MOUNTED ON BUILDING)**

IESNA: LM-63-2002  
 [TEST] 2,330  
 [TESTDATE] 12/16/2010  
 [ISSUEDATE] 1/6/2014  
 [TESTLAB] ONSPEX  
 [TESTMETHOD] IES LM-79-08  
 [MANUFAC] Lithonia Lighting  
 [LUMCAT] OFLR 6LC 120 MO  
 [LUMINAIRE] LED FLOODLIGHT WITH TWO HEADS AND MOTION SENSOR  
 [LAMP] Cree XPG  
 [LAMP] SIX LED  
 [BALLAST] LED driver by Illumination Dynamics  
 [BALLASTCAT] PS2F  
 [DISTRIBUTION] 7 X 7  
 [TOTALLUMINAIRELUMENS] 1165.6  
 [LAMPPOSITION] 0, 0  
 [LAMP] TYPE] LED  
 [LAMP] WATTAGE] 22  
 [MOUNTING] Wall  
 [FAMILY] 2-Head LED Floodlight with Motion Sensor  
 [PRODUCTID] 604c09c0-909e-4e5f-83f4-87d72c863e3  
 604c09c0-909e-4e5f-83f4-87d72c863e3  
 [AMBIENT] 25.2 DEG C  
 [LIGHT VARIATION] 0.41 %  
 [LUMENS] 1,165.51  
 [POWER VARIATION] 0.00 %  
 [POWERFACTOR] 0.795  
 [STABILIZATION] 53:13.6 STABLE

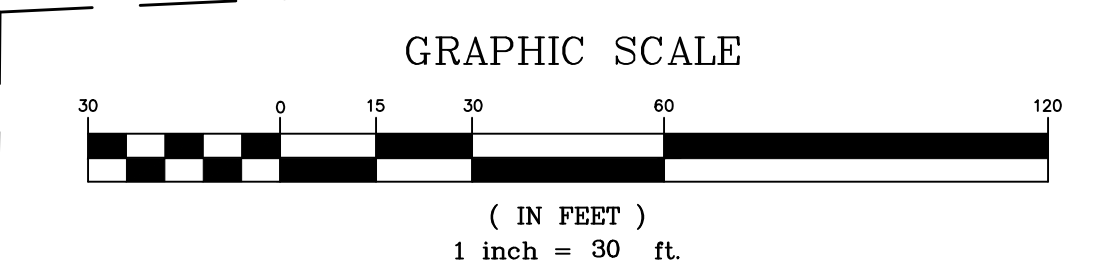
LUMENS PER LAMP = -1  
 LIGHT LOSS FACTOR = 0.85  
 OPTICAL HEIGHT = 7  
 FEET ARM LENGTH = 1  
 FEET TILT = 0 DEGREES FROM NADIR  
 MAXIMUM ILLUMINANCE = 16.1 FOOTCANDLES

**WALL SCONCE (5 EACH, MOUNTED ON BUILDING)**

IESNA: LM-63-2002  
 [TEST] 107146  
 [TESTDATE] 5/8/2013  
 [ISSUEDATE] 4/9/2015  
 [TESTLAB] ACUITY BRANDS LIGHTING CONYERS LAB  
 [TESTMETHOD] IES LM-79-08  
 [MANUFAC] Lithonia Lighting  
 [LUMCAT] WSTM LED 1A 30K 120 DIFS  
 [LUMINAIRE] WSTM LED WITH 1 BOARD, 3000K CCT, 120 VOLT, DIFFUSE GLASS LENS  
 [LAMP] LED ARRAY  
 [LAMP] 3000K LED. ALL VALUES PER 1000 LMS.  
 [BALLAST]  
 [BALLASTCAT]  
 [DISTRIBUTION] TYPE II, VERY SHORT, BUG RATING: BO - UO - GO  
 [TOTALLUMINAIRELUMENS] 673.3  
 [LAMPPOSITION] 0, 0  
 [LAMP] TYPE] LED  
 [LAMP] WATTAGE] 9  
 [MOUNTING] Wall  
 [FAMILY] WSTM LED  
 [PRODUCTID] 15682eb3-42ea-4d58-b103-8e5e40357082  
 15682eb3-42ea-4d58-b103-8e5e40357082  
 [OTHER] DECORATIVE WALL MOUNT LED FR4 3000K PAINTED BLACK; DIFFUSE LENS

LUMENS PER LAMP = -1  
 LIGHT LOSS FACTOR = 0.85  
 OPTICAL HEIGHT = 7 FEET  
 ARM LENGTH = 0  
 FEET TILT = 0 DEGREES FROM NADIR  
 MAXIMUM ILLUMINANCE = 4.7 FOOTCANDLES

- LIGHTING NOTES:**
1. PARKING LOT LIGHTING TO BE PROVIDED AND INSTALLED BY DUKE ENERGY.
  2. MAXIMUM MOUNTING HEIGHT ALLOWED BY ORDINANCE IS 35' FOR FULL CUT-OFF FIXTURES. (30' PROPOSED)
  3. MAXIMUM FOOT CANDLES ALLOWED AT PROPERTY LINE BY ORDINANCE IS 0.3 FC.
  4. MAXIMUM ILLUMINATION PROVIDED BY THIS FIXTURE IS 2.7 FC
  5. SEE SHEET D4.2 FOR CUT SHEETS



ALAIN J. CREISSEN  
 ANNA I INGERSOLL-CREISSEN  
 DB.4840 P.73 PB.93 P.33

SOLID WASTE WILL BE  
 HANDLED USING ROLL-TO-CURB  
 TRASH BINS

**CALL BEFORE YOU DIG... IT'S THE LAW.**  
 CALL N.C. ONE-CALL(1-800-632-4949)  
 FOR LOCATION OF UNDERGROUND UTILITIES AT LEAST  
 2 WORKING DAYS PRIOR TO BEGINNING GRADING OR TRENCHING.  
 NORTH CAROLINA GENERAL STATUTE 87-102

**EarthCentric Engineering, Inc.**  
 LICENSE #C-2638

204 W. Clay Street  
 Mebane, NC 27302  
 Phone: (919) 563-9041  
 Fax: (919) 304-3234  
 E-Mail: Phil.Koch@EarthCentric.com

INCORPORATED  
**ECE**

PRINCIPAL ENGINEER  
 PHIL KOCH - NCEPE #22834

**NEW LIFE FELLOWSHIP CHURCH**  
 CHAPEL HILL, NORTH CAROLINA

**LIGHTING PLAN**  
 (PHASE 1)

REV.	DATE	DESCRIPTION	BY
4	10/21/11	FULL SUBMITTAL	CPK
5	11/15/11	RESPONSE TO COMMENTS	CPK
6	06/14/12	REV PER SPECIAL USE APP.	CPK
7	01/23/13	COVER SHEET CHANGE	SCS
8	06/10/13	DRIVE BEL PER CHINCOOT	CPK
9	11/19/13	RESUBMIT REVISED CONFIG.	CPK
10	04/02/14	CH-PLANNING COMMENTS	CPK
11	11/21/14	PER SUP APPROVAL	CPK
12	02/09/15	PER OWSA COMMENTS	TMM
13	04/20/15	XXXXXXXXXXXXXXXXXXXX	CPK

DATE: NOVEMBER 16, 2010  
 HORIZONTAL SCALE: 1" = 30'  
 VERTICAL SCALE: N/A  
 PROJECT MANAGER: CPK  
 DRAWN BY: CPK  
 PROJECT NO.: 10-013  
 DRAWING NAME: 10-013 REVIEW-R1

THIS DRAWING AND THE DESIGN HEREON ARE THE PROPERTY OF EarthCentric Engineering, Inc. THE INFORMATION ON THIS DRAWING IS NOT FOR USE ON ANY OTHER SITE OR PROJECT. THE REPRODUCTION OR OTHER USE OF THIS DRAWING IN WHOLE OR IN PART, WITHOUT WRITTEN CONSENT OF EarthCentric Engineering, Inc. IS PROHIBITED.

COPYRIGHT 2015 EarthCentric Engineering, Inc.

**SHEET NO.**  
**C8.0**

REVIEW

**CORNER FLOODLIGHTS**  
(4 EACH MOUNTED ON BUILDING)



**FEATURES & SPECIFICATIONS**

**INTENDED USE**  
Provides years of maintenance-free general illumination for residential and commercial outdoor applications such as yards, driveways, patios, loading areas and warehouses. Motion activation deters intruders.

**CONSTRUCTION**  
Two tool-free adjustable heads allow for easy aiming up/down or side to side. Rugged cast aluminum, corrosion-resistant housing in bronze or white. Clear acrylic lenses are fully gasketed to keep out moisture, dirt and bugs. 120V drive optically at 100K. Rated for outdoor installation, -40°C minimum ambient.

**OPTICS**  
High-performance 5000K CCT LEDs produce 1222 lumens and maintain 70% of light output at 50,000 hours of service. Thermal controlled color temperature per ANSI C78-377-2008/LED Meqan based on IESNA LM-80-08 results and calculated per IESNA TM-21-11 methodology. Dual array motion sensor provides 180° detection with up to 70 feet forward range and additional downward perimeter protection for added security. Sensitivity and on-time adjustable heads provide precision control, and the sensor has a manual override option. An integrated photocell prevents activation during daylight.

**INSTALLATION**  
Mounts easily to existing junction box on wall or under building eave. Adjustable heads allow precise illumination. Not recommended to wire multiple fixtures in parallel.

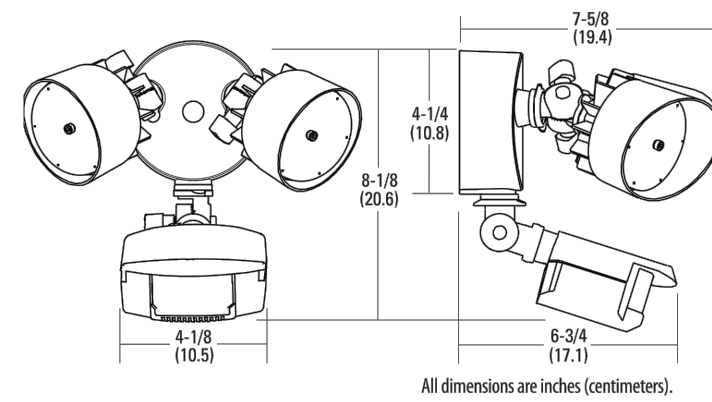
**LISTINGS**  
ULC/ETL Certified to US and Canadian safety standards. Wet location listed for mounting higher than 4' off the ground.

**WARRANTY**  
Five-year limited warranty. Full warranty terms located at [www.acuitybrands.com/CustomerResources/Terms\\_and\\_conditions.aspx](http://www.acuitybrands.com/CustomerResources/Terms_and_conditions.aspx). NOTE: Specifications are subject to change without notice. Actual performance may differ as a result of end-user environment and application.

Outdoor General Purpose

**OFLR 6 MO**

LED FLOODLIGHT WITH MOTION SENSOR  
2 ADJUSTABLE HEADS  
High Performance LED



ORDERING INFORMATION All configurations of this product are considered "Standard" and have short lead times. Example: OFLR 6LC 120 MO BZ

Series	OFLR	6LC	120	MO	BZ
LED Floodlight	6 LEDs, 2 heads	120	120 volts	Motion sensor	Bronze White

OUTDOOR GENERAL PURPOSE OFLR-6-MO

**2-Head LED Floodlight with Motion Sensor**

**PHOTOMETRICS**  
Full photometric data report available within 2 weeks from request. Consult factory.

**Lighting Facts**  
Light Output (Lumens): 1222  
Watts: 21.89  
Lumens per Watt (Efficacy): 55  
Color Accuracy (Color Rendering Index CRI): 78  
Light Color (Color Temperature CCT): 4780 (Daylight)  
Beam Angle: 120°



DECORATIVE & RESIDENTIAL: One Lithonia Way, Conyers, GA 30012 Phone: 800.718.5070 Fax: 770.860.3803 [www.lithonia.com](http://www.lithonia.com) © 2010-2013 Acuity Brands, Inc. All rights reserved. Rev. 10/2013

**PARKING LOT FIXTURES (4 EACH)**



**DESCRIPTION**  
The Galleon™ LED luminaire delivers exceptional performance in a highly scalable, low-profile design. Patented, high-efficiency AccuLED Optics™ system provides uniform and energy conscious illumination to walkways, parking lots, roadways, building areas and security lighting applications. IP66 rated and UL/ULC Listed for wet locations.

Catalog #	Type
Project	Date
Comments	
Prepared by	

**SPECIFICATION FEATURES**

**Construction**  
Extruded aluminum driver enclosure thermally isolated from Light Squares for optimal thermal performance. Heavy-wall, die-cast aluminum end caps enclose housing and die-cast aluminum heat sinks. A unique, patent pending interlocking housing and heat sink provides scalability with superior structural rigidity. 3G vibration tested. Optional tool-less hardware available for ease of entry into electrical chamber. Housing is IP66 rated.

**Optics**  
Patented, high-efficiency injection-molded AccuLED Optics. Optics are precisely designed to shape the distribution maximizing efficiency and application spacing. AccuLED Optics create consistent distributions with the scalability to meet customized application requirements. Offered standard in 4000K (+/- 275K) CCT 70 CRI. Optional 6000K CCT and 3000K CCT.

**Electrical**  
LED drivers are mounted to removable tray assembly for ease of maintenance. 120-277V 50/60Hz, 347V 60Hz or 480V 60Hz included. For wall mounting, specify wall mount bracket option, 3G vibration rated.

**Finish**  
Housing finished in Super durable TGIC polyester powder coat paint, 2.5 mil nominal thickness for superior protection against fade and wear. Heat sink is powder coated black. Standard colors include black, bronze, grey, white, dark platinum and graphite metallic. RAL and custom color matches available.

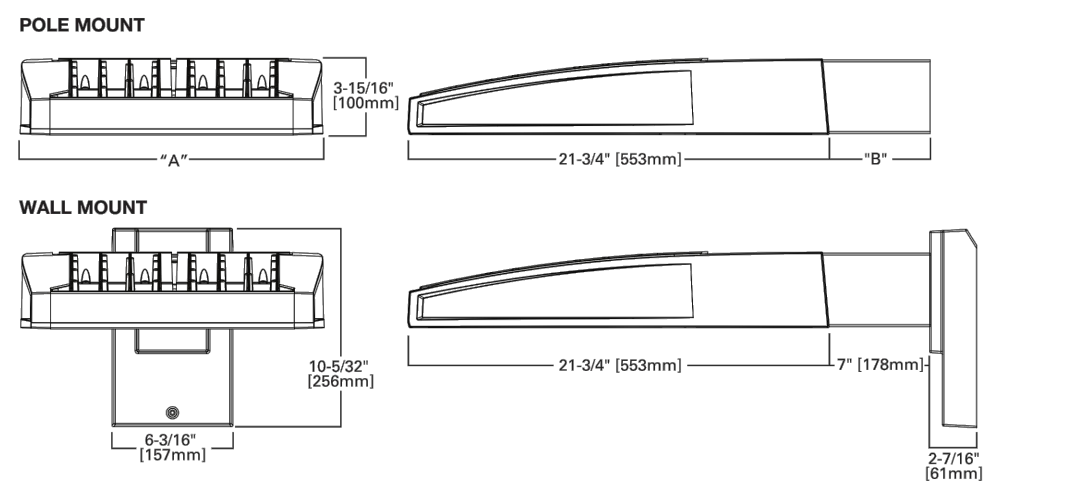
**Warranty**  
Five-year warranty.

**Mounting**  
Extruded aluminum arm includes internal bolt guides allowing for easy positioning of fixture during assembly. Designed for pole or wall mounting. When mounting two or more luminaires at 90°

and 120° apart, the EA extended arm may be required. Refer to the arm mounting requirement table on page 3. Round pole adapter included. For wall mounting, specify wall mount bracket option, 3G vibration rated.

**GAN GALLEON LED**  
1-10 Light Squares  
Solid State LED  
AREA / ROADWAY LUMINAIRE

**DIMENSIONS**



**CERTIFICATION DATA**  
UL/ULC Wet Location Listed  
850 9001  
LM79 (LM80) Compliant  
3G Vibration Rated  
AHLA Compliant  
IP66 Rated  
DesignLights Consortium® Qualified\*

**ENERGY DATA**  
Electronic LED Driver  
+0.8 Power Factor  
<20% Total Harmonic Distortion  
120V/277V 50/60Hz  
347V & 480V 60Hz  
-30°C Min. Temperature  
40°C Max. Temperature  
60°C Max. Temperature (9A Option)

**DIMENSION DATA**

Number of Light Squares	"A" Width	"B" Standard Arm Length	"B" Optional Arm Length	Weight with Arm (lbs.)	EPA with Arm *
1-4	15-1/2" (394mm)	7" (178mm)	10" (254mm)	33 (15.0 kgs.)	0.96
5-8	21-5/8" (549mm)	7" (178mm)	10" (254mm)	44 (20.0 kgs.)	1.00
7-8	27-5/8" (702mm)	7" (178mm)	13" (330mm)	54 (24.5 kgs.)	1.07
9-10	33-3/4" (857mm)	7" (178mm)	16" (406mm)	63 (28.6 kgs.)	1.12

NOTE: 1. Optional arm length to be used when mounting two fixtures at 90° on a single pole & EPA calculated with optional arm length.

Cooper Lighting  
by E-T-N

ADW140435  
2014-05-29 14:31:15

**BUILDING MOUNT FIXTURES**  
(5 EACH AT ENTRANCES)

**WSTM LED LED Mini Wall Sconce**



**Specifications Luminaire**

Height: 5 3/4" (14.6 cm)  
Width: 12-1/2" (31.8 cm)  
Depth: 7-1/2" (19.1 cm)  
Weight: 6 lbs. (2.7 kg)



**Ordering Information**

Series	LEDs	Color Temperature	Voltage	Mounting	Control options	Other options	Finish (standard)
WSTM LED 1A	One engine	30K 3000K	120	Shipped included (Blank) surface mount	Shipped installed PE Photocell, call, button type	Shipped installed (Blank) Diffusing glass lens	DBR00 Dark bronze
WSTM LED 2A	Two engines	40K 4000K	277	Shipped separately* UTS Light's optics		Clear glass lens Shipped separately* WG Wire guard	DBL00 Black DNAXD Natural aluminum DWH00 White DBR10 Textured dark bronze DBR20 Textured black DNW10 Textured natural aluminum DNW20 Textured white DSST0 Textured sandstone

**Stock configurations are offered for shorter lead times:**

Stock Part Number	Accessories
WSTM LED 1A-40K 120 DBR10	WSTM03 00003 3 3-pin with accessory (supply pack)
WSTM LED 2A-40K 120 DBR10	WSTM09 9 Wire guard accessory

EXAMPLE: WSTM LED 2A 40K 120 DBR10



One Lithonia Way • Conyers, Georgia 30012 • Phone: 800.279.8041 • Fax: 770.918.1209 • [www.lithonia.com](http://www.lithonia.com)  
© 2011-2013 Acuity Brands Lighting, Inc. All rights reserved.

**Performance Data**

**Lumen Output**  
Lumen values are from photometric tests performed in accordance with IESNA LM-79-08. Data is considered to be representative of the configurations shown, within the tolerances allowed by Lighting Facts. Actual performance may differ as a result of end-user environment and application. Actual wattage may differ by +/- 5% when operating at 120V or 277V +/-10%.

LEDs	Wattage (Watt)	120V (lm)	277V (lm)
1A	9	673	773
2A	17	1,306	1,227

1. See electrical load chart for 277V system watts.

**Lumen Ambient Temperature (LAT) Multipliers**

Use these factors to determine relative lumen output for average ambient temperatures from 0-40°C (32-104°F).

Ambient	Relative Output
0°C	1.05
10°C	1.03
20°C	1.01
25°C	1.00
30°C	0.99
40°C	0.97

**Projected LED Lumen Maintenance**

Data references the extrapolated performance projections for the WSTM LED platform in a 25°C ambient, based on 10,000 hours of LED testing (based per IESNA LM-80-08) and projected per IESNA TM-21-11.

In addition, use the lumen maintenance factor that corresponds to the desired number of operating hours below. For other lumen maintenance values, contact factory.

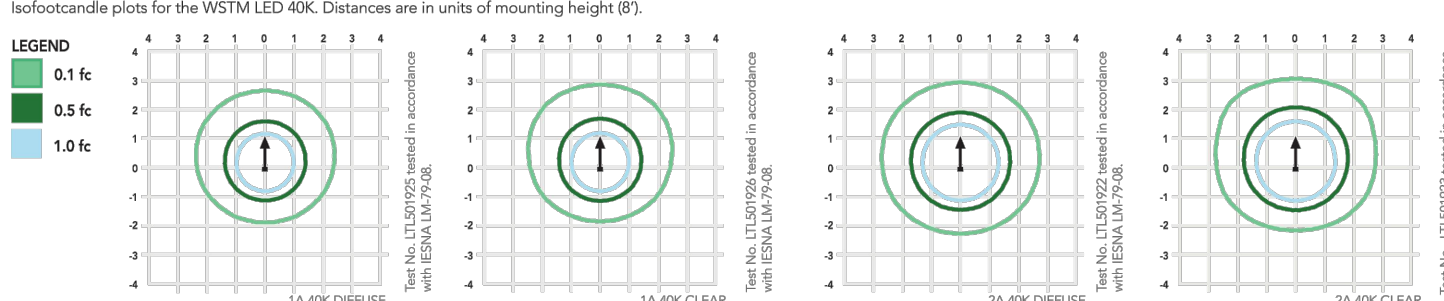
Operating Hours	0	25,000	50,000	100,000
Lumen Maintenance Factor	1.0	0.86	0.74	0.54

**Electrical Load**

LEDs	System Watts	120	277
1A	9W	0.08	-
1A	17W	0.15	0.06
2A	22W	-	0.09

1. Higher wattage is due to electrical losses from step-down transformer.

**Photometric Diagrams**



**FEATURES & SPECIFICATIONS**

**INTENDED USE**  
The classic architectural shape of the WSTM LED was designed for applications such as hospitals, schools, malls, restaurants, and commercial buildings. The long-life LEDs make this luminaire nearly maintenance-free.

**CONSTRUCTION**  
The single-piece die-cast aluminum housing integrates a heat sink to optimize thermal transfer from the internal light engine and promote long life. The die-cast door frame is fully gasketed with a one-piece solid silicone gasket to keep out moisture and dust, providing an IP65 rating for the luminaire.

**FINISH**  
Exterior parts are protected by a zinc-inflated Super Durable TGIC thermoset powder-coat finish that provides superior resistance to corrosion and weathering. A tightly controlled multi-step process ensures a minimum 3 mils thickness for a finish that can withstand extreme climate change without cracking or peeling. Standard Super Durable colors include dark bronze, black, natural aluminum, sandstone and white. Available in textured and non-textured finishes.

**WARRANTY**  
Five-year limited warranty. Complete warranty terms located at [www.acuitybrands.com/CustomerResources/Terms\\_and\\_conditions.aspx](http://www.acuitybrands.com/CustomerResources/Terms_and_conditions.aspx).

**OPTICS**  
Light engines are 3000K (+80 CRI) or 4000K (+80 CRI). The WSTM LED has anti-glare and qualifies as a Nighttime Friendly™ product, meaning it is consistent with the LEED® and Green Globes™ criteria for eliminating wasteful uplight.

**ELECTRICAL**  
Light engines consist of 42 high-efficiency LEDs mounted to a circuit board and integral aluminum heat sink to maximize heat dissipation and promote long life (50,000 hrs at 25°C L70).

**INSTALLATION**  
Easily installed using provided mounting strap. Mount to any non-combustible vertical surface, over a 4" round or square recessed outlet box (by other). Back access through slotted gasket.

**LISTINGS**  
CUL certified to U.S. standards. Luminaire is IP65 rated and suitable for wet locations when mounted with the lens down. Rated for -30°C minimum ambient.

**WARRANTY**  
Five-year limited warranty. Complete warranty terms located at [www.acuitybrands.com/CustomerResources/Terms\\_and\\_conditions.aspx](http://www.acuitybrands.com/CustomerResources/Terms_and_conditions.aspx).

**NOTE:** Specifications subject to change without notice.



One Lithonia Way • Conyers, Georgia 30012 • Phone: 800.279.8041 • Fax: 770.918.1209 • [www.lithonia.com](http://www.lithonia.com)  
© 2011-2013 Acuity Brands Lighting, Inc. All rights reserved.

WSTM LED  
Rev. 03/10/14



**EarthCentric Engineering, Inc.**  
LICENSE #IC-2638  
204 W. Clay Street  
Mebane, NC 27302  
Phone: (919) 563-9041  
Fax: (919) 304-3234  
E-Mail: [Phil.Koch@EarthCentric.com](mailto:Phil.Koch@EarthCentric.com)

PRINCIPAL ENGINEER  
PHIL KOCH - NCEPE #2638

**NEW LIFE FELLOWSHIP CHURCH**  
CHAPEL HILL, NORTH CAROLINA  
**LIGHTING DETAILS**

REV.	DATE	DESCRIPTION	BY
4	10/21/11	FULL SUBMITTAL	CPK
5	11/15/11	RESPONSE TO COMMENTS	CPK
6	06/14/12	REV. PER SPECIAL USE APP.	CPK
7	01/23/13	COVER SHEET CHANGE	SCS
8	06/10/13	DRIVE REL. PER CHANGEO	CPK
9	11/19/13	RESUBMIT REVISED CONFIG.	CPK
10	04/02/14	CHT PLANNING COMMENTS	CPK
11	11/21/14	PER SUP-APPROVAL	CPK
12	02/09/15	PER OWSAN COMMENTS	TMM
13	04/20/15	XXXXXXXXXXXXXXXXXXXX	CPK

DATE: NOVEMBER 16, 2010  
HORIZONTAL SCALE: N/A  
VERTICAL SCALE: N/A  
PROJECT MANAGER: CPK  
DRAWN BY: SCS  
PROJECT NO.: 10-013  
DRAWING NAME: 10-013 DETAILS

SHEET NO.  
**D4.2**

PRELIMINARY

Catalog Number
Notes
Type

## FEATURES & SPECIFICATIONS

### INTENDED USE

Provides years of maintenance-free general illumination for residential and commercial outdoor applications such as yards, driveways, patios, loading areas and warehouses. Motion activation deters intruders.

### CONSTRUCTION

Two tool-free adjustable heads allow for easy aiming up/down or side to side. Rugged cast aluminum, corrosion-resistant housing in bronze or white.

Clear acrylic lenses are fully gasketed to keep out moisture, dirt and bugs.

120V driver operates at 60Hz.

Rated for outdoor installations, -40°C minimum ambient.

### OPTICS

High-performance 5000K CCT LEDs produce 1222 lumens and maintain 70% of light output at 50,000 hours of service. (Nominal correlated color temperature per ANSI C78-377-2008; LED lifespan based on IESNA LM-80-08 results and calculated per IESNA TM-21-11 methodology.)

Dual array motion sensor provides 180° detection with up to 70 feet forward range and additional downward perimeter protection for added security.

Sensitivity and on-time adjustable knobs provide precision control, and the sensor has a manual override option.

An integrated photocell prevents activation during daylight.

### INSTALLATION

Mounts easily to existing junction box on wall or under building eave.

Adjustable heads allow precise illumination.

Not recommended to wire multiple fixtures in parallel.

### LISTINGS

UL/C-UL Certified to US and Canadian safety standards. Wet location listed for mounting higher than 4' off the ground.

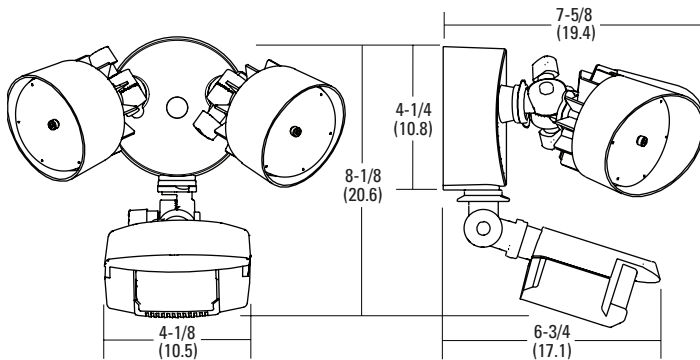
### WARRANTY

Five-year limited warranty. Full warranty terms located at

[www.acuitybrands.com/CustomerResources/Terms\\_and\\_conditions.aspx](http://www.acuitybrands.com/CustomerResources/Terms_and_conditions.aspx).

NOTE: Specifications are subject to change without notice.

Actual performance may differ as a result of end-user environment and application.



All dimensions are inches (centimeters).

Outdoor General Purpose

# OFLR 6 MO

LED FLOODLIGHT WITH MOTION SENSOR  
2 ADJUSTABLE HEADS

High Performance LED



### ORDERING INFORMATION

All configurations of this product are considered "standard" and have short lead times.

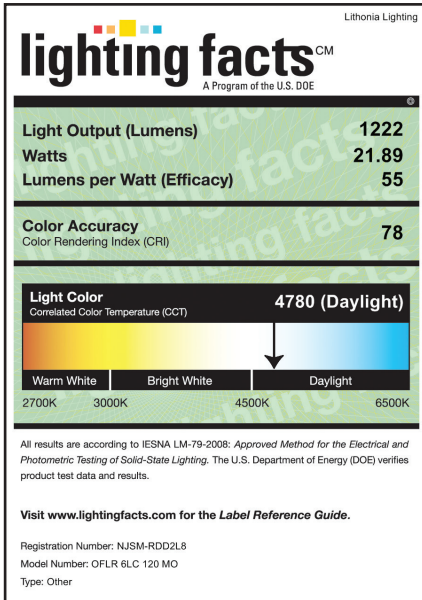
Example: OFLR 6LC 120 MO BZ

OFLR	6LC	120	MO	
<b>Series</b>	<b>Number of heads</b>	<b>Voltage</b>	<b>Features</b>	<b>Finish</b>
<b>OFLR</b> LED floodlight	<b>6LC</b> 6 LEDs, 2 heads	<b>120</b> 120 volts	<b>MO</b> Motion sensor	<b>BZ</b> Bronze <b>WH</b> White

# 2-Head LED Floodlight with Motion Sensor

## PHOTOMETRICS

Full photometric data report available within 2 weeks from request. Consult factory.



## DESCRIPTION

The Galleon™ LED luminaire delivers exceptional performance in a highly scalable, low-profile design. Patented, high-efficiency AccuLED Optics™ system provides uniform and energy conscious illumination to walkways, parking lots, roadways, building areas and security lighting applications. IP66 rated and UL/cUL Listed for wet locations.

<b>Catalog #</b>		<b>Type</b>
<b>Project</b>		
<b>Comments</b>		<b>Date</b>
<b>Prepared by</b>		

## SPECIFICATION FEATURES

### Construction

Extruded aluminum driver enclosure thermally isolated from Light Squares for optimal thermal performance. Heavy-wall, die-cast aluminum end caps enclose housing and die-cast aluminum heat sinks. A unique, patent pending interlocking housing and heat sink provides scalability with superior structural rigidity. 3G vibration tested. Optional tool-less hardware available for ease of entry into electrical chamber. Housing is IP66 rated.

### Optics

Patented, high-efficiency injection-molded AccuLED Optics. Optics are precisely designed to shape the distribution maximizing efficiency and application spacing. AccuLED Optics create consistent distributions with the scalability to meet customized application requirements. Offered standard in 4000K (+/- 275K) CCT 70 CRI. Optional 6000K CCT and 3000K CCT.

### Electrical

LED drivers are mounted to removable tray assembly for ease of maintenance. 120-277V 50/60Hz, 347V 60Hz or 480V 60Hz operation. Standard with 0-10V dimming. Shipped standard with Cooper Lighting proprietary circuit module designed to withstand 10kV of transient line surge. The Galleon LED luminaire is suitable for operation in -40°C to 40°C ambient environments. For applications with ambient temperatures exceeding 40°C, specify the HA (High Ambient) option. Light Squares are IP66 rated. 90% lumen maintenance expected at 60,000 hours. Available in standard 1A drive current and optional 530mA and 700mA drive currents.

### Mounting

Extruded aluminum arm includes internal bolt guides allowing for easy positioning of fixture during assembly. Designed for pole or wall mounting. When mounting two or more luminaires at 90°

and 120° apart, the EA extended arm may be required. Refer to the arm mounting requirement table on page 3. Round pole adapter included. For wall mounting, specify wall mount bracket option. 3G vibration rated.

### Finish

Housing finished in Super durable TGIC polyester powder coat paint, 2.5 mil nominal thickness for superior protection against fade and wear. Heat sink is powder coated black. Standard colors include black, bronze, grey, white, dark platinum and graphite metallic. RAL and custom color matches available.

### Warranty

Five-year warranty.



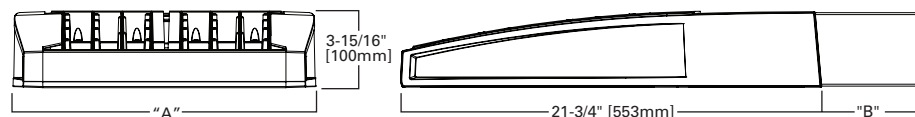
## GAN GALLEON LED

1-10 Light Squares  
Solid State LED

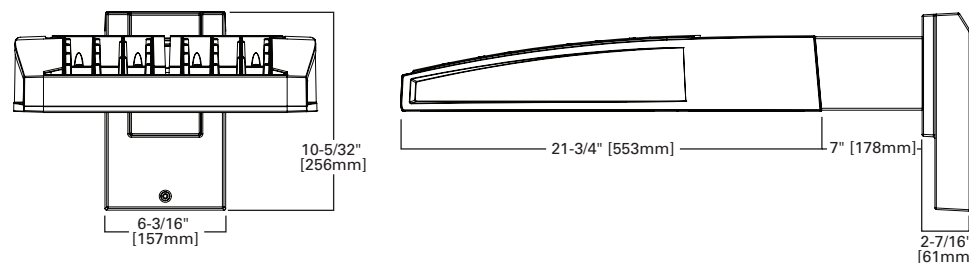
AREA / ROADWAY LUMINAIRE

## DIMENSIONS

### POLE MOUNT



### WALL MOUNT



### DIMENSION DATA

Number of Light Squares	"A" Width	"B" Standard Arm Length	"B" Optional Arm Length <sup>1</sup>	Weight with Arm (lbs.)	EPA with Arm <sup>2</sup> (Sq. Ft.)
1-4	15-1/2" (394mm)	7" (178mm)	10" (254mm)	33 (15.0 kgs.)	0.96
5-6	21-5/8" (549mm)	7" (178mm)	10" (254mm)	44 (20.0 kgs.)	1.00
7-8	27-5/8" (702mm)	7" (178mm)	13" (330mm)	54 (24.5 kgs.)	1.07
9-10	33-3/4" (857mm)	7" (178mm)	16" (406mm)	63 (28.6 kgs.)	1.12

NOTES: 1. Optional arm length to be used when mounting two fixtures at 90° on a single pole. 2. EPA calculated with optional arm length.



### CERTIFICATION DATA

UL/cUL Wet Location Listed  
ISO 9001  
LM79 / LM80 Compliant  
3G Vibration Rated  
ARRA Compliant  
IP66 Rated  
DesignLights Consortium® Qualified\*

### ENERGY DATA

Electronic LED Driver  
>0.9 Power Factor  
<20% Total Harmonic Distortion  
120V-277V 50/60Hz  
347V & 480V 60Hz  
-40°C Min. Temperature  
40°C Max. Temperature  
50°C Max. Temperature (HA Option)





# WSTM LED

## LED Mini Wall Sconce



Catalog  
Number

Notes

Type

Hit the Tab key or mouse over the page to see all interactive elements.

### Introduction

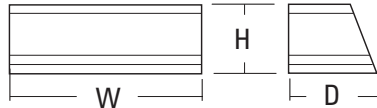
The Architectural WSTM Mini-Wall Sconce is now available with the latest in LED technology. The result is a long-life, maintenance-free product with typical energy savings of 87% over metal halide versions. The diffuse lens eliminates harsh glare while producing comfortable illumination.

The WSTM LED is ideal for replacing existing 50-100W metal halide or 26-42W compact fluorescent wall-mounted products and can be mounted in either lens up or lens down orientation. The expected service life is over 10 years of nighttime use.

### Specifications

#### Luminaire

- Height:** 5-3/4"  
(14.6 cm)
- Width:** 12-1/2"  
(31.8 cm)
- Depth:** 7-1/2"  
(19.1 cm)
- Weight:** 6 lbs.  
(2.7 kg)



### Ordering Information

**EXAMPLE: WSTM LED 2A 40K 120 DDBTXD**

WSTM LED							
Series	LEDs	Color temperature	Voltage	Mounting	Control options	Other options	Finish <i>(required)</i>
WSTM LED	1A One engine 2A Two engines	30K 3000K 40K 4000K	120 277 <sup>1</sup>	<b>Shipped included</b> (blank) Surface mount  <b>Shipped separately<sup>2</sup></b> UT5 Uptilt 5 degrees	<b>Shipped installed</b> PE Photoelectric cell, button type	<b>Shipped installed</b> (blank) Diffusing glass lens CGL Clear glass lens <b>Shipped separately<sup>2</sup></b> WG Wire guard	DDBXD Dark bronze DBLXD Black DNAXD Natural aluminum DWHXD White DDBTXD Textured dark bronze DBLBXD Textured black DNATXD Textured natural aluminum DWHGXD Textured white DSSTXD Textured sandstone

Stock configurations are offered for shorter lead times:

#### Stock Part Number

WSTM LED 1A 40K 120 DDBTXD

WSTM LED 2A 40K 120 DDBTXD

### Accessories

*Ordered and shipped separately.*

- WSTMUTS DDBXD U 5 degree uptilt accessory (specify finish)
- WSTMWG U Wire guard accessory

### NOTES

- 1 Includes step-down transformer; see page 2 for more information.
- 2 Also available as a separate accessory; see Accessories information at left.



## Performance Data

### Lumen Output

Lumen values are from photometric tests performed in accordance with IESNA LM-79-08. Data is considered to be representative of the configurations shown, within the tolerances allowed by Lighting Facts. Actual performance may differ as a result of end-user environment and application. Actual wattage may differ by +/- 8% when operating at 120V or 277V +/-10%.

LEDs	Performance Package	System Watts <sup>1</sup>	30K (3000K, 80 CRI)					40K (4000K, 80 CRI)				
			Nominal Lumens	B	U	G	LPW	Nominal Lumens	B	U	G	LPW
1A	1A--K	9	673	0	0	0	75	733	0	0	1	81
2A	2A--K	17	1,308	1	0	0	77	1,277	1	0	0	75

1 See electrical load chart for 277V system watts.

### Lumen Ambient Temperature (LAT) Multipliers

Use these factors to determine relative lumen output for average ambient temperatures from 0-40°C (32-104°F).

Ambient		Lumen Multiplier
0°C	32°F	1.05
10°C	50°F	1.03
20°C	68°F	1.01
<b>25°C</b>	<b>77°F</b>	<b>1.00</b>
30°C	86°F	0.99
40°C	104°F	0.97

### Projected LED Lumen Maintenance

Data references the extrapolated performance projections for the **WSTM LED** platform in a **25°C ambient**, based on 10,000 hours of LED testing (tested per IESNA LM-80-08 and projected per IESNA TM-21-11).

To calculate LLF, use the lumen maintenance factor that corresponds to the desired number of operating hours below. For other lumen maintenance values, contact factory.

Operating Hours	0	25,000	50,000	100,000
Lumen Maintenance Factor	1.0	0.86	0.74	0.54

### Electrical Load

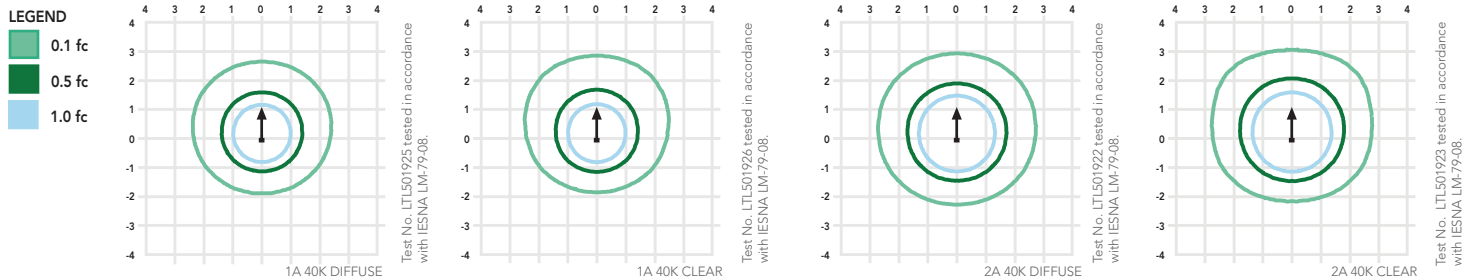
LEDs	System Watts	Current (A)	
		120	277
1A	9W	0.08	—
	13W <sup>1</sup>	—	0.06
2A	17W	0.15	—
	22W <sup>1</sup>	—	0.09

1 Higher wattage is due to electrical losses from step-down transformer.

## Photometric Diagrams

To see complete photometric reports or download .ies files for this product, visit Lithonia Lighting's [WSTM LED homepage](#).

Isofootcandle plots for the WSTM LED 40K. Distances are in units of mounting height (8').



## FEATURES & SPECIFICATIONS

### INTENDED USE

The classic architectural shape of the WSTM LED was designed for applications such as hospitals, schools, malls, restaurants, and commercial buildings. The long-life LEDs make this luminaire nearly maintenance-free.

### CONSTRUCTION

The single-piece die-cast aluminum housing integrates a heat sink to optimize thermal transfer from the internal light engine and promote long life. The die-cast door frame is fully gasketed with a one-piece solid silicone gasket to keep out moisture and dust, providing an IP65 rating for the luminaire.

### FINISH

Exterior parts are protected by a zinc-infused Super Durable TGIC thermoset powder-coat finish that provides superior resistance to corrosion and weathering. A tightly controlled multi-stage process ensures a minimum 3 mils thickness for a finish that can withstand extreme climate changes without cracking or peeling. Standard Super Durable colors include dark bronze, black, natural aluminum, sandstone and white. Available in textured and non-textured finishes.

### OPTICS

Light engines are 3000K (>80 CRI) or 4000K (>80 CRI). The WSTM LED has zero uplight and qualifies as a Nighttime Friendly™ product, meaning it is consistent with the LEED® and Green Globes™ criteria for eliminating wasteful uplight.

### ELECTRICAL

Light engine(s) consist of 42 high-efficacy LEDs mounted to a circuit board and integral aluminum heat sink to maximize heat dissipation and promote long life (50,000 hrs at 25°C, L74).

### INSTALLATION

Easily installed using provided mounting strap. Mount to any non-combustible vertical surface, over a 4" round or square recessed outlet box (by others). Back access through slotted gasket.

### LISTINGS

CSA certified to U.S. standards. Luminaire is IP65 rated and suitable for wet locations when mounted with the lens down. Rated for -30°C minimum ambient.

DesignLights Consortium® (DLC) qualified product. Not all versions of this product may be DLC qualified. Please check the DLC Qualified Products List at [www.designlights.org](http://www.designlights.org) to confirm which versions are qualified.

### WARRANTY

Five-year limited warranty. Complete warranty terms located at [www.citybrands.com/CustomResources/Terms\\_and\\_conditions.aspx](http://www.citybrands.com/CustomResources/Terms_and_conditions.aspx).

**Note:** Specifications subject to change without notice.

