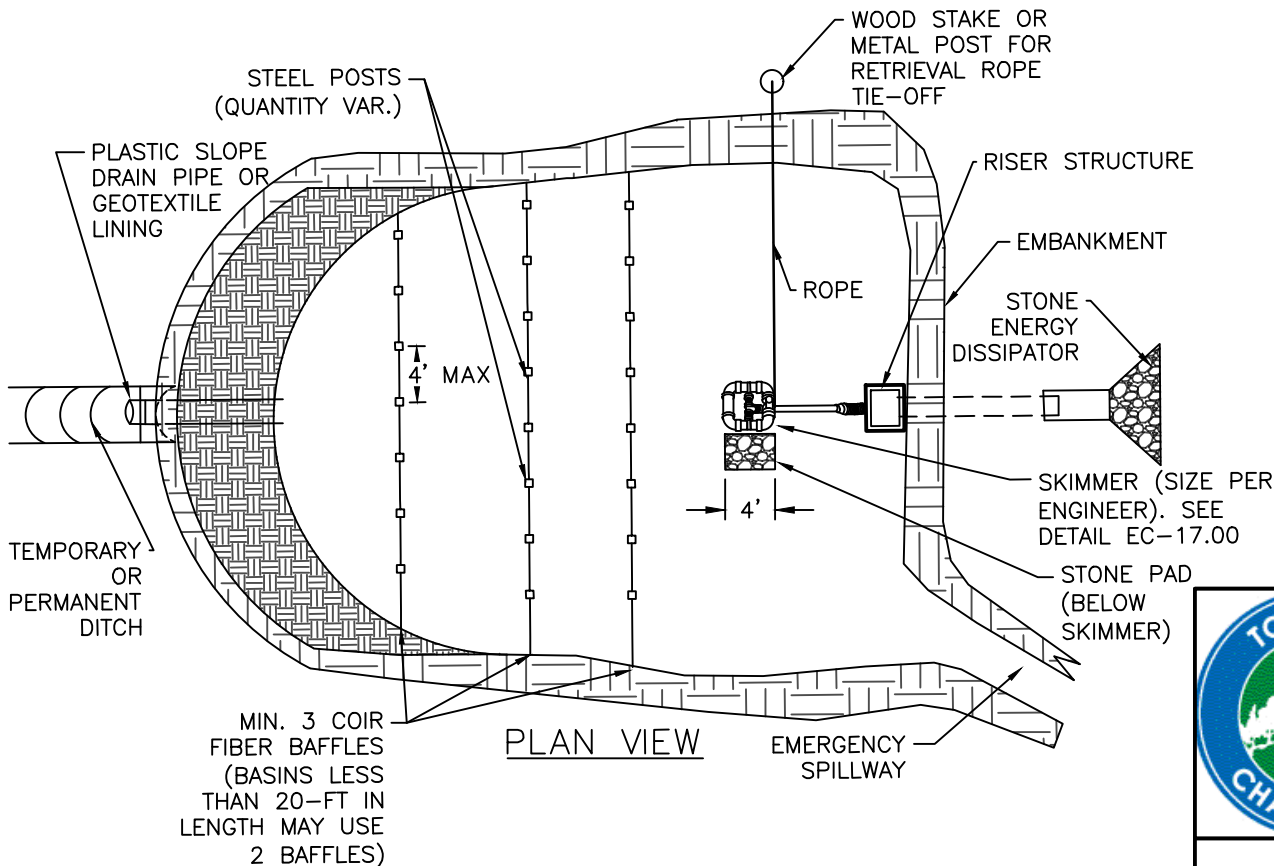


NOTES:

1. SEE TOWN OF CHAPEL HILL (TOCH) DETAIL EC-13.01 FOR SEDIMENT BASIN NOTES AND MAINTENANCE REQUIREMENTS
2. SEE TOCH DETAIL EC-13.02 FOR DETAILS FOR BAFFLES
3. SEE TOCH DETAIL EC-17.00 FOR SKIMMER DETAIL
4. SITE DESIGN ENGINEER SHALL COMPLETE SEDIMENT BASIN DIMENSIONAL TABLE BELOW

SEDIMENT BASIN DIMENSIONAL TABLE

DESIGN ELEMENT	DIMENSIONS	ELEV.
EMERGENCY SPILLWAY		
TOP OF DAM WIDTH		
ANTI-SEEP COLLAR		
RIP RAP DISSIPATER PAD		
ANTI-FLOATATION DEVICE		
TOP OF RISER		
OUTLET PIPE INVERT IN		
OUTLET PIPE INVERT OUT		
SEDIMENT STORAGE AREA		



ACCEPTABLE DIMENSIONS FOR BASIN EMBANKMENT

FILL HEIGHT	MINIMUM TOP WIDTH
LESS THAN 10.0 FT	8.00 Ft
10.0 FT TO 15.0 FT	10.00 Ft



TOWN OF CHAPEL HILL
STANDARD DETAIL

REVISIONS
05/2024

STANDARD
RISER-BARREL
SEDIMENT BASIN
(WITH SKIMMER)

DATE: 02/2017

EC-13.00

" NOT TO SCALE "