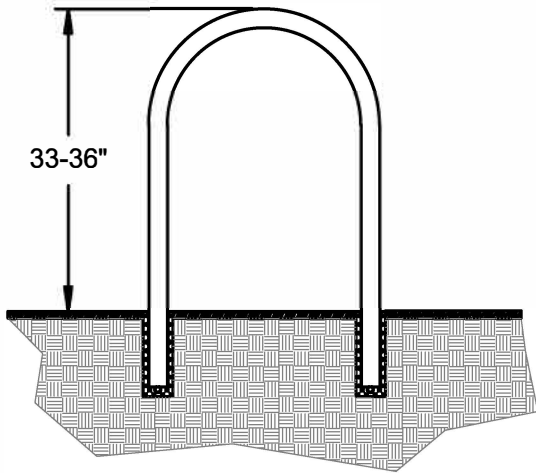
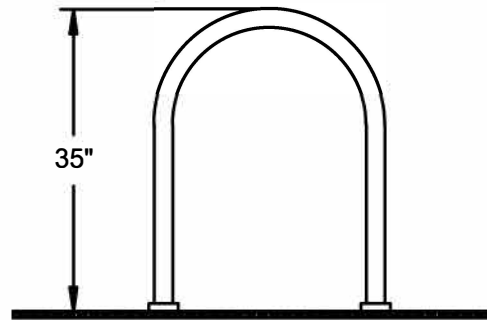


IN-GROUND MOUNT



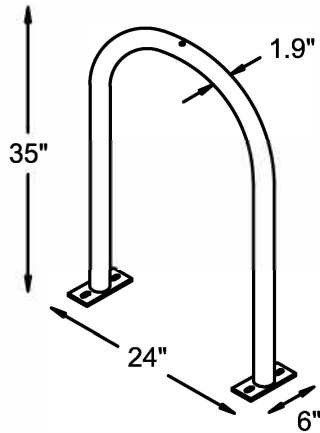
SURFACE MOUNT



BIKE RACK INSTALLATION:

SURFACE MOUNT - WHEN INSTALLED ON CONCRETE SURFACE, USE 3/8" ANCHORS TO PLATE MOUNT. SHIM AS NECESSARY TO ENSURE VERTICAL PLACEMENT.

IN-GROUND MOUNT - WHEN INSTALLED ON PAVERS OR OTHER NON-STABLE SURFACES, EMBED INTO BASE. CORE HOLES NO LESS THAN 3" IN DIAMETER AND 10" DEEP.



STANDARD BIKE RACK



" NOT TO SCALE "



DATE: 02/2017

TOWN OF CHAPEL HILL
STANDARD DETAIL

REVISIONS

BIKE RACK DETAIL

PR-1.00