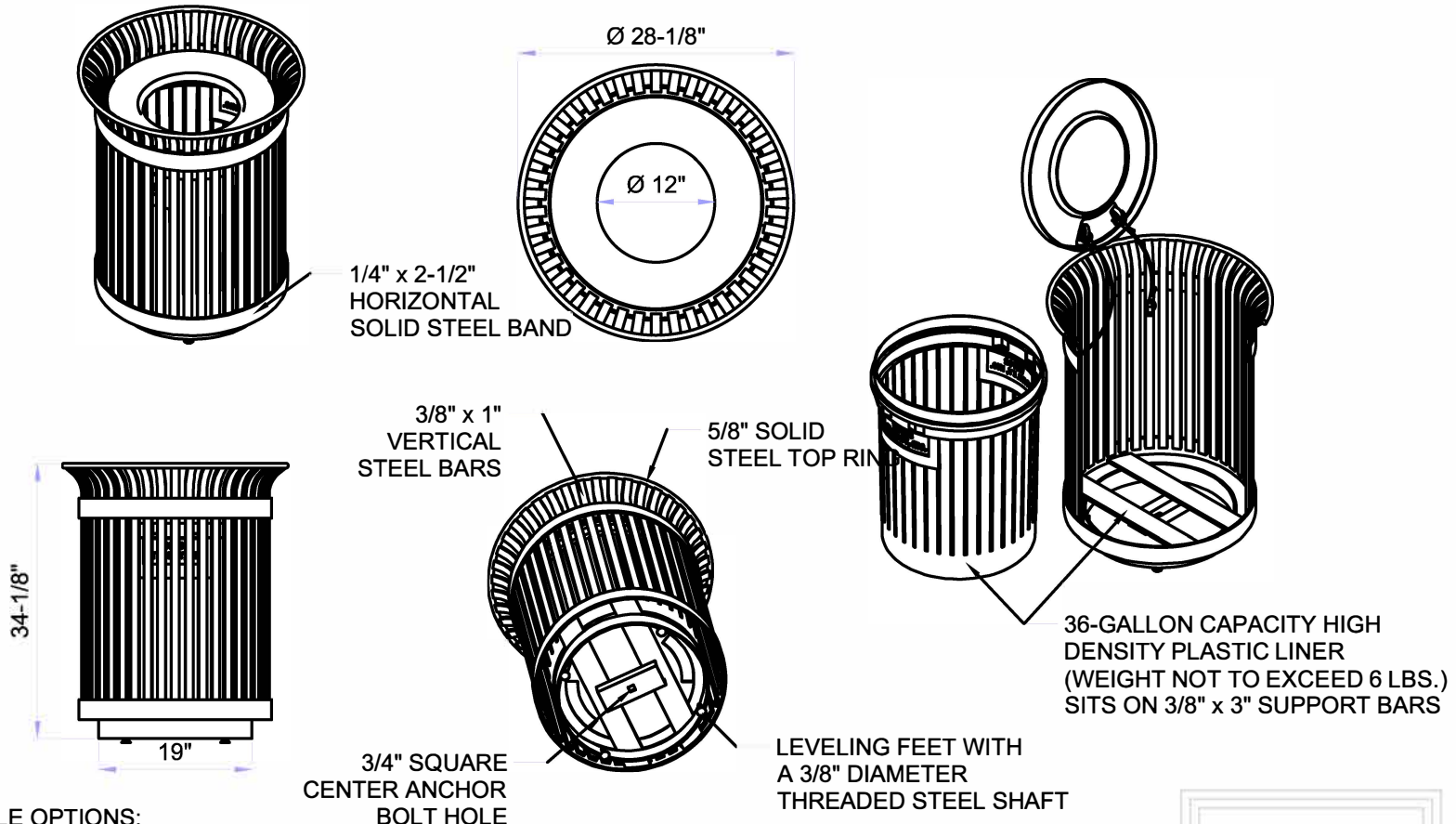




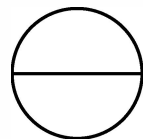
**VICTOR STANLEY, INC.®**  
*-Manufacturers of Quality Site Furnishings since 1962-*

P.O. DRAWER 330 - DUNKIRK, MD 20754 USA  
 TOLL FREE: (800) 368-2573 (USA & CANADA)  
 TEL (301) 855-8300 - FAX (410) 257-7579  
 WEB SITE: HTTP://WWW.VICTORSTANLEY.COM

\* ALL DIMENSIONS ARE IN INCHES \*



AVAILABLE OPTIONS:  
 POWDER COATING  
 10 STANDARD COLORS, 2 OPTIONAL METALLIC COLORS,  
 CUSTOM COLORS (INCLUDING THE RAL RANGE)  
 CUSTOM PLAQUES & DECALS.  
 AVAILABLE WITH STEEL PLAQUES IN VARIOUS SIZES  
 AND PRESSURE SENSITIVE VINYL OUTDOOR DECALS.



**S-424**

**IRONSITES® SERIES**  
 36-GALLON LITTER RECEPTACLE  
 SHOWN: STANDARD TAPERED FORMED LID

COPYRIGHT 2013 VICTOR STANLEY, INC.® ALL RIGHTS RESERVED  
 REV. 4/29/13 DRAWN C.D.B. 2013-445

" NOT TO SCALE "



**TOWN OF CHAPEL HILL**  
 STANDARD DETAIL

REVISIONS

TRASH RECEPTACLE

DATE: 02/2017

SS-1.01