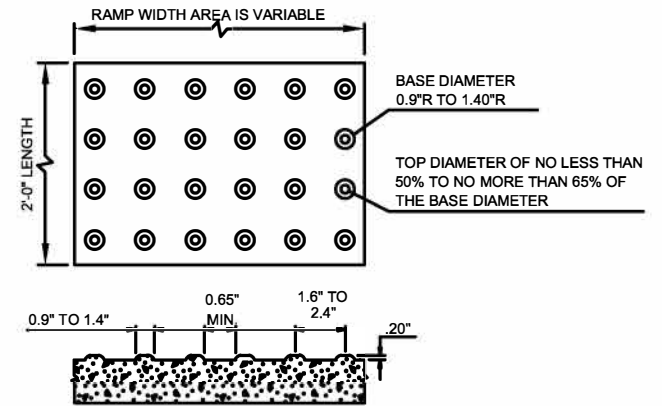


W	A	W+A+9'	X	B
5'	0.0'	5.8'	5.8'	5.0'
6'	0.0'	6.8'	6.8'	6.0'
7'	0.0'	7.8'	7.3'	6.5'
8'	0.0'	8.8'	7.3'	6.5'
5'	2.0'	7.8'	7.8'	5.0'
5'	2.5'	8.3'	8.1'	4.8'
5'	3.0'	8.8'	8.3'	4.4'
5'	3.5'	9.3'	8.4'	4.1'
5'	4.0'	9.8'	8.6'	3.8'
5'	4.5'	10.3'	8.7'	3.4'
5'	5.0'	10.8'	8.9'	3.1'

B = X - (A + 9")
 B = DISTANCE FROM FRONT EDGE OF SIDEWALK TO BACK POINT OF 12:1 (8.33%) SLOPE.
 * BACK OF SIDEWALK DROP REQUIRED FOR ALL SIDEWALK SLOPES.
 ** BACK OF SIDEWALK DROP REQUIRED FOR SIDEWALK SLOPES 0.04.



PLAN VIEW
 DUAL RAMPS
 ANY RADII
 (4-FT MIN. FLOOR WIDTH)

PAY LIMITS FOR CURB RAMP

NOTES:

1. DETECTABLE WARNING DOMES WILL COVER 2'-0" LENGTH AND FULL WIDTH OF THE RAMP FLOOR AS SHOWN ON THE DETAILS.
2. DETECTABLE WARNING DOMES WILL CONTRAST VISIBILITY WITH ADJOINING SURFACE, EITHER LIGHT-ON-DARK, OR DARK-ON-LIGHT SEQUENCE COVERING THE ENTIRE RAMP.

" NOT TO SCALE "



**TOWN OF CHAPEL HILL
 STANDARD DETAIL**

REVISIONS

**ACCESSIBLE
 RAMP**

DATE: 02/2017

T-1.02