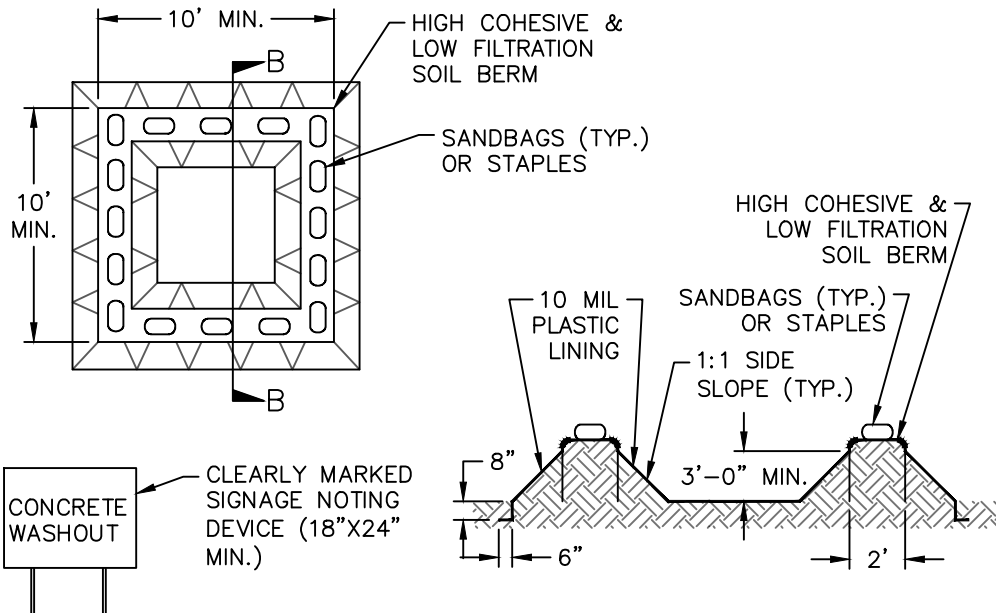


\\chfs\Engineering\Design Manual\Standard Details for 2023 Revision\CAD\CAD details\EC-1800.dwg



PLAN

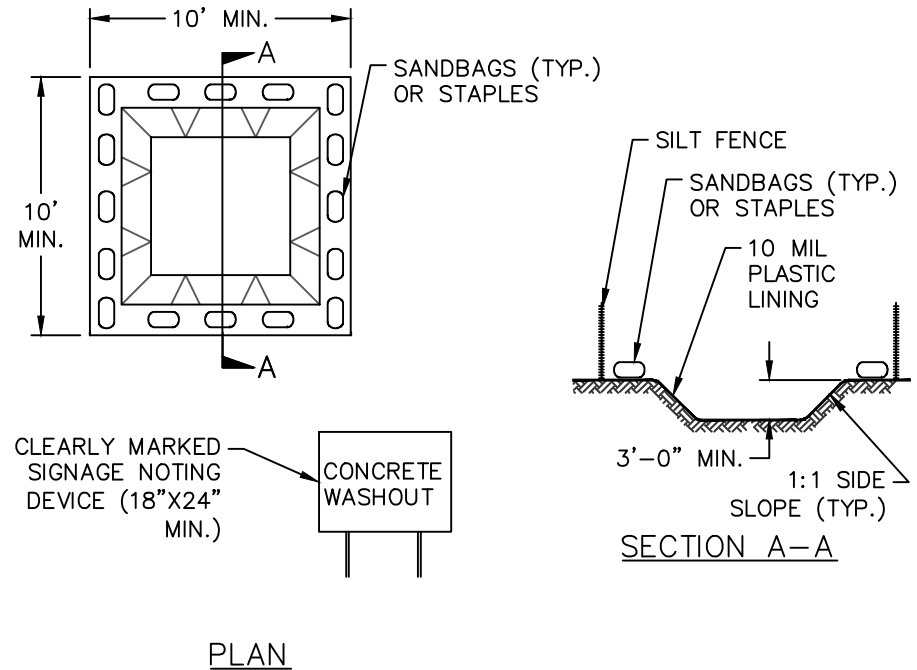
SECTION B-B

NOTES:

1. ACTUAL LOCATION DETERMINED IN FIELD. WASHOUT SHALL NOT BE INSTALLED WITHIN 50-FT OF A STORMWATER INLET, OPEN CHANNEL, WATER BODY OR WETLAND.
2. LOCATE WASHOUTS IN AN EASILY ACESIBLE AREA, ON LEVEL GROUND AND INSTALL A STONE ENTRANCE PAD IN FRONT OF THE WASHOUT
3. THE CONCRETE WASHOUT STRUCTURES SHALL BE MAINTAINED WHEN THE LIQUID AND/OR SOLID REACHES 75% OF THE STRUCTURES CAPACITY TO PROVIDE ADEQUATE HOLDING CAPACITY WITH A MINIMUM 12 INCHES OF FREEBOARD.
4. CONCRETE WASHOUT STRUCTURE NEEDS TO BE CLEARLY MARKED WITH SIGNAGE NOTING DEVICE.

ABOVE GRADE WASHOUT STRUCTURE

" NOT TO SCALE "



PLAN

SECTION A-A

NOTES:

1. ACTUAL LOCATION DETERMINED IN FIELD. WASHOUT SHALL NOT BE INSTALLED WITHIN 50-FT OF A STORMWATER INLET, OPEN CHANNEL, WATER BODY OR WETLAND.
2. LOCATE WASHOUTS IN AN EASILY ACESIBLE AREA, ON LEVEL GROUND AND INSTALL A STONE ENTRANCE PAD IN FRONT OF THE WASHOUT
3. THE CONCRETE WASHOUT STRUCTURES SHALL BE MAINTAINED WHEN THE LIQUID AND/OR SOLID REACHES 75% OF THE STRUCTURES CAPACITY.
4. CONCRETE WASHOUT STRUCTURE NEEDS TO BE CLEARLY MARKED WITH SIGNAGE NOTING DEVICE.

BELOW GRADE WASHOUT STRUCTURE



TOWN OF CHAPEL HILL
STANDARD DETAIL

REVISIONS

CONCRETE WASHOUT
STRUCTURE WITH
LINER

DATE: 03/2024

EC-18.00